

F

E

D

C

B

A

4

3

2

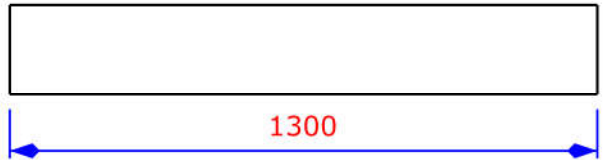
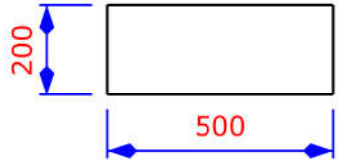
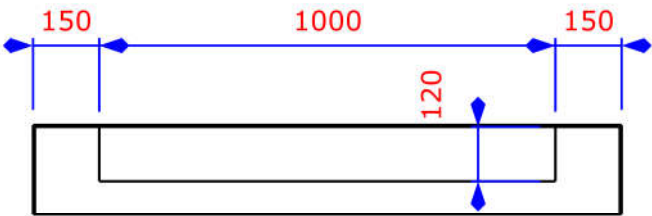
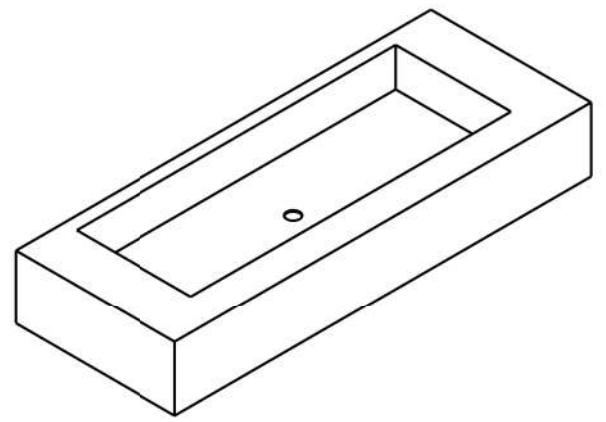
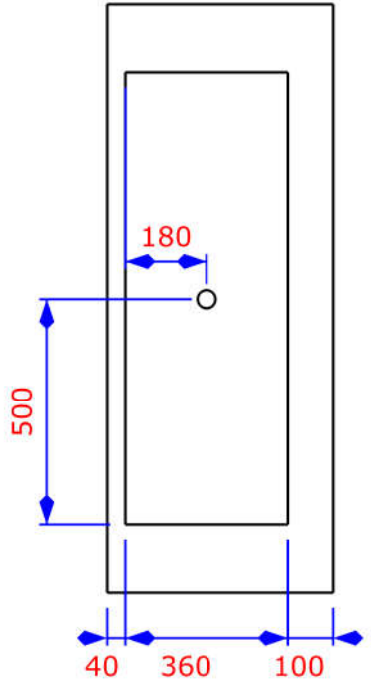
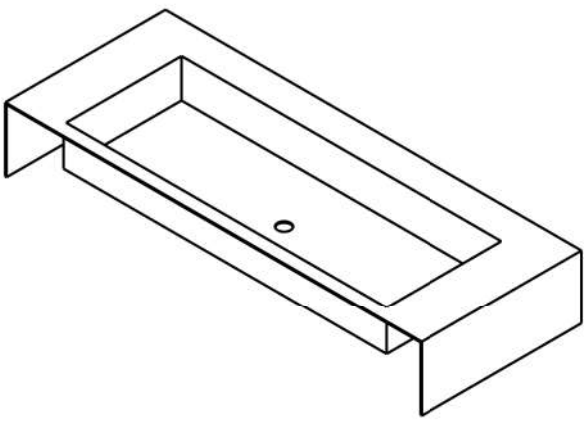
1

4

3

2

1



DESIGNED BY: <b>Ioannis Nentidis</b>		<b>ΝΙΠΤΗΡΑΣ 1300X500mm v3</b>		G	-
DATE: <b>04/02/2020</b>		<b>ΤΥΠΟΣ (2) 32TEM</b>		F	-
SIZE <b>A4</b>		<b>acrijan</b> <small>Water Experience</small>		E	-
SCALE	WEIGHT (kg)			D	-
		DRAWING NUMBER <b>0302020</b>	SHEET <b>4mm</b>	C	-
This drawing is our property; it can't be reproduced or communicated without our written consent.				B	-
				A	-

F

E

D