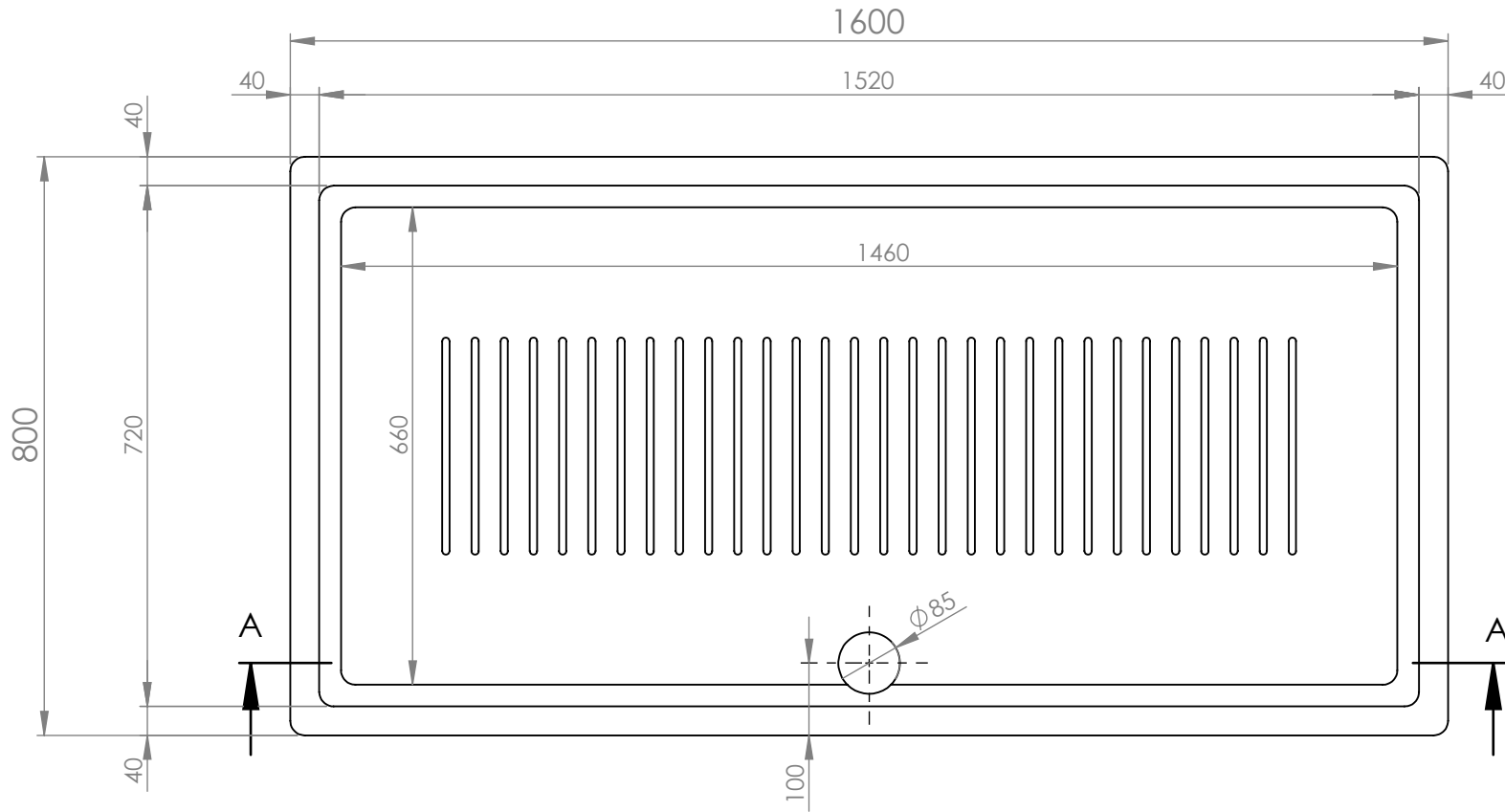


SECTION A-A



| | | | |
|-------|------------|-----------------------|--------------|
| | | TITLE: | |
| | | FOSSATO 160X80 | |
| DRAWN | DATE | NAME | DWG NO. |
| | 11/05/2023 | KONSTANTINOS PAIZANOS | A4 |
| | | SCALE:1:10 | SHEET 1 OF 1 |