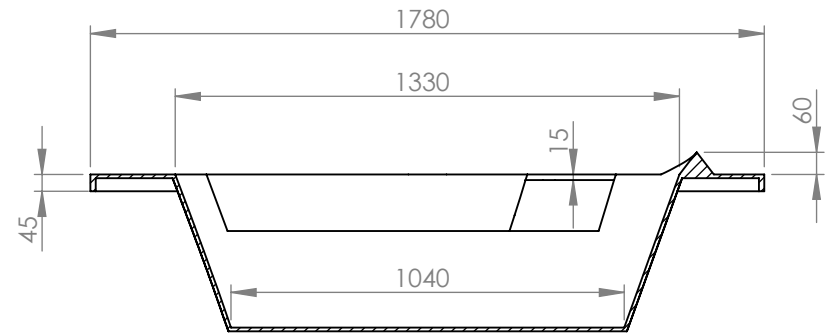
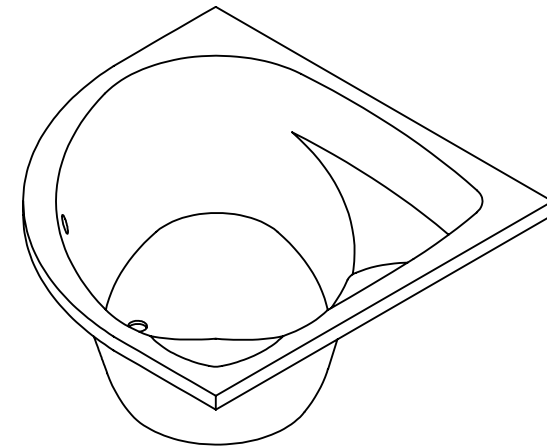
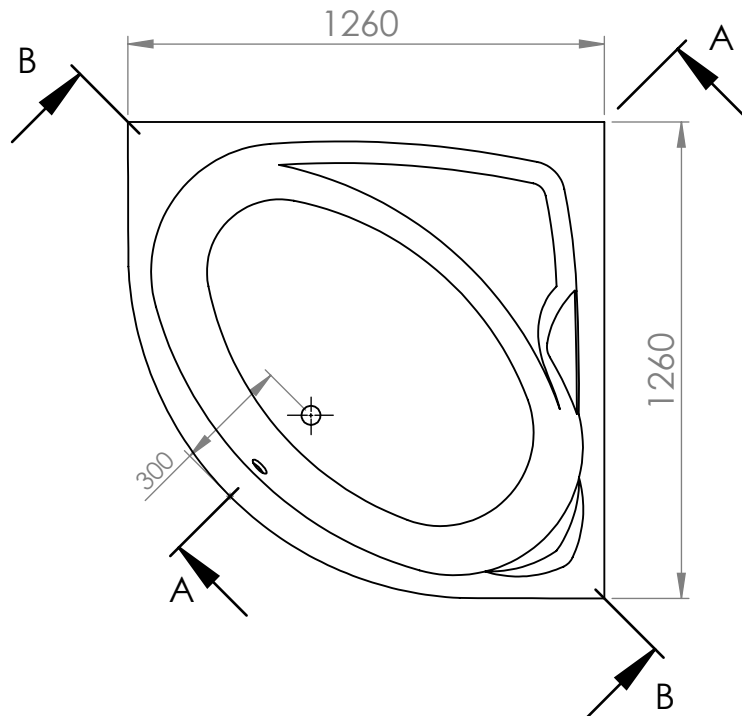


SECTION A-A



SECTION B-B



| | | | |
|------------|------------|---------------------------|--------------|
| | | TITLE: | |
| | | BATHTUB SANTORINI 130X130 | |
| DRAWN | DATE | NAME | DWG NO. |
| | 22/11/2021 | KONSTANTINOS PAIZANOS | A4 |
| SCALE:1:20 | | | SHEET 1 OF 1 |