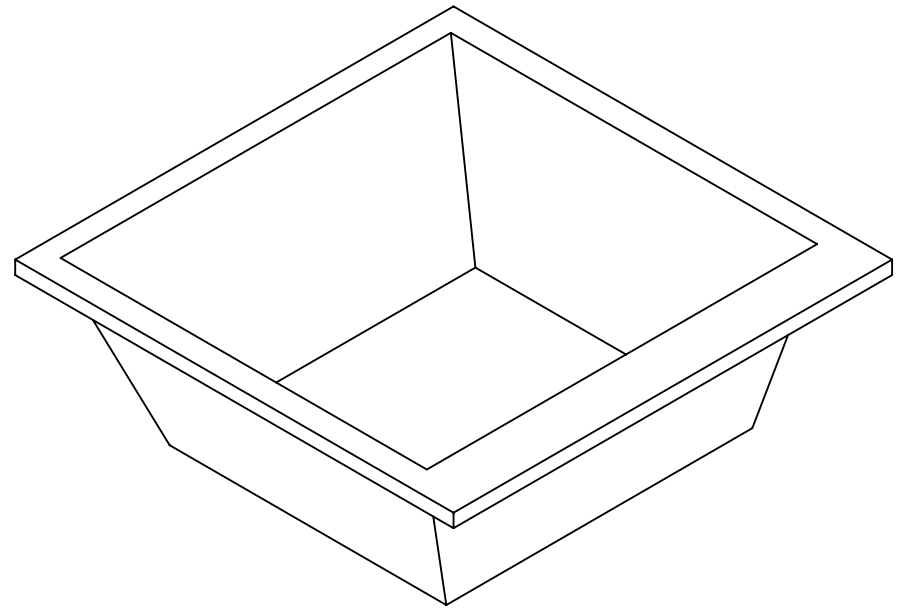
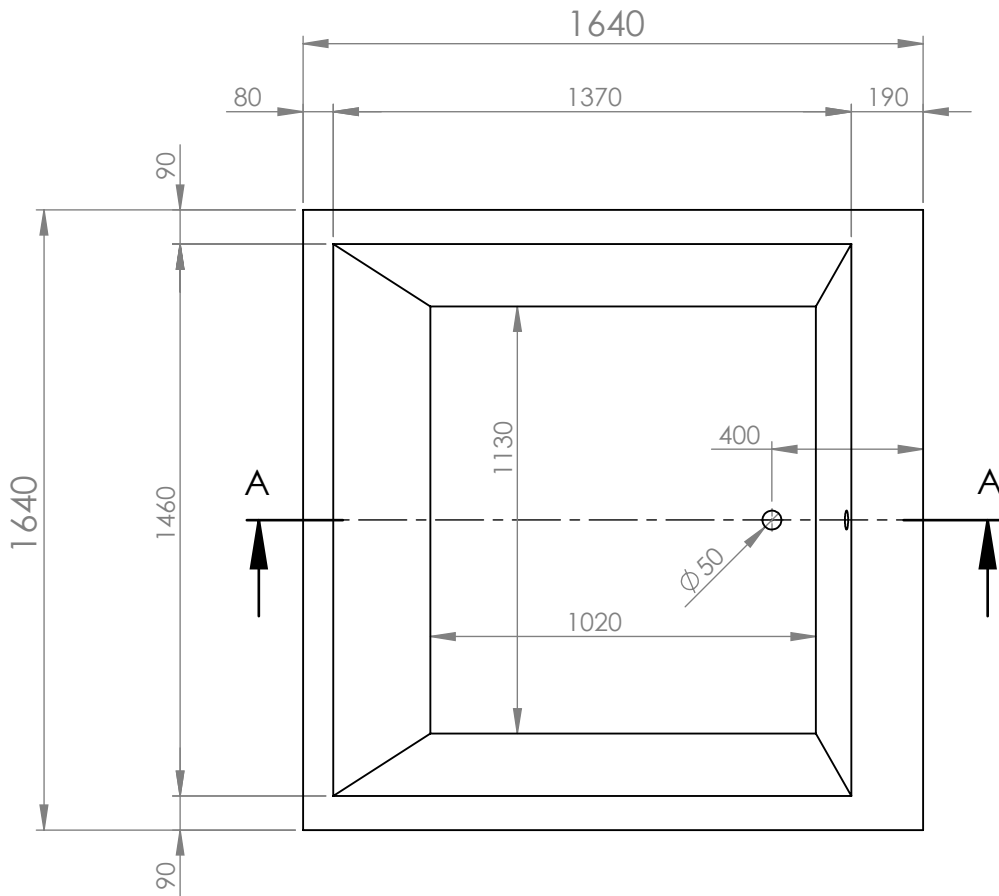
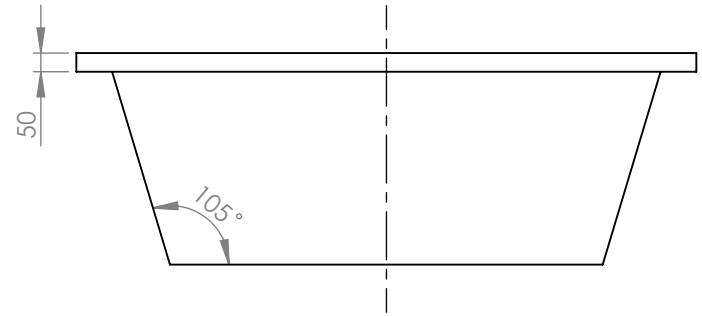



SECTION A-A



		TITLE:	
		BATHTUB PRINCESS 165X165	
DRAWN	DATE	NAME	DWG NO.
	18/06/2022	KONSTANTINOS PAIZANOS	A4
SCALE:1:20			SHEET 1 OF 1