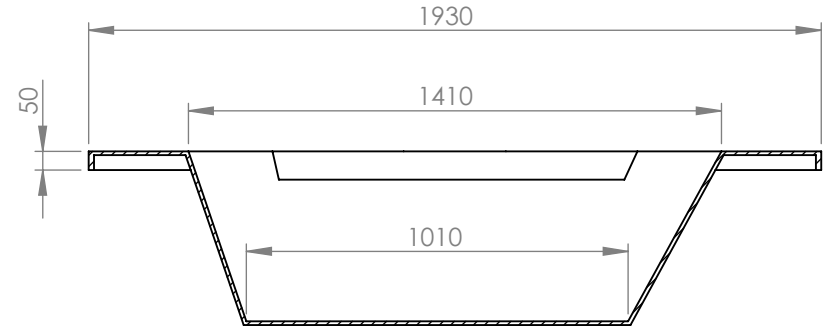
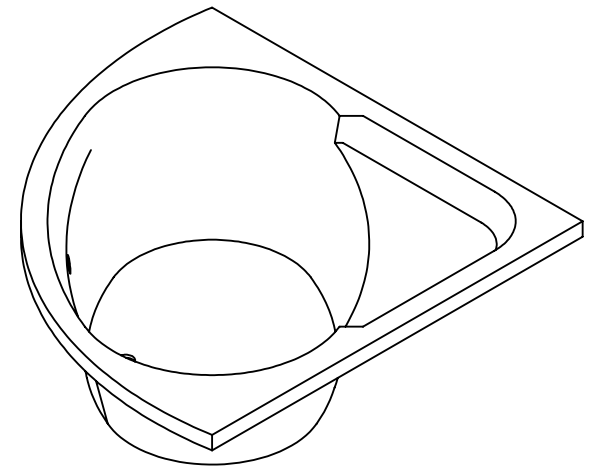
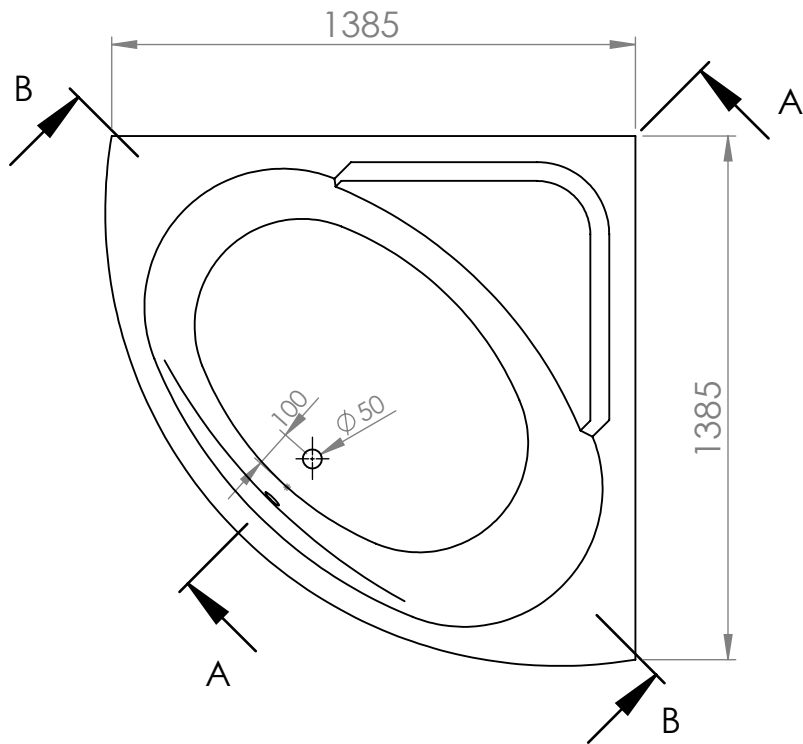


SECTION A-A



SECTION B-B



| | | | |
|-------|------------|-------------------------|--------------|
| | | TITLE: | |
| | | BATHTUB POSIDON 140X140 | |
| DRAWN | DATE | NAME | DWG NO. |
| | 27/02/2023 | KONSTANTINOS PAIZANOS | A4 |
| | | SCALE:1:20 | SHEET 1 OF 1 |