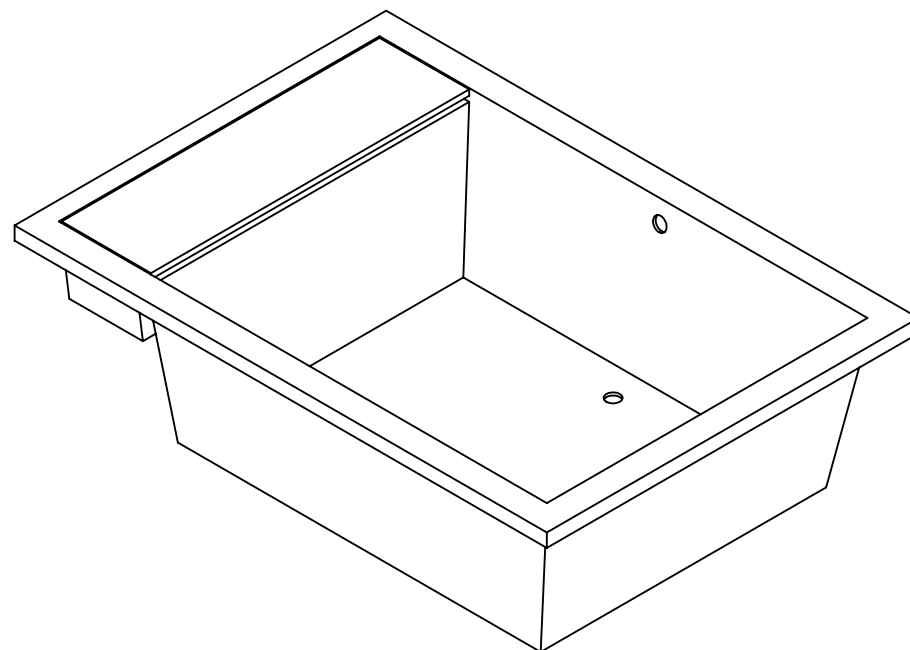
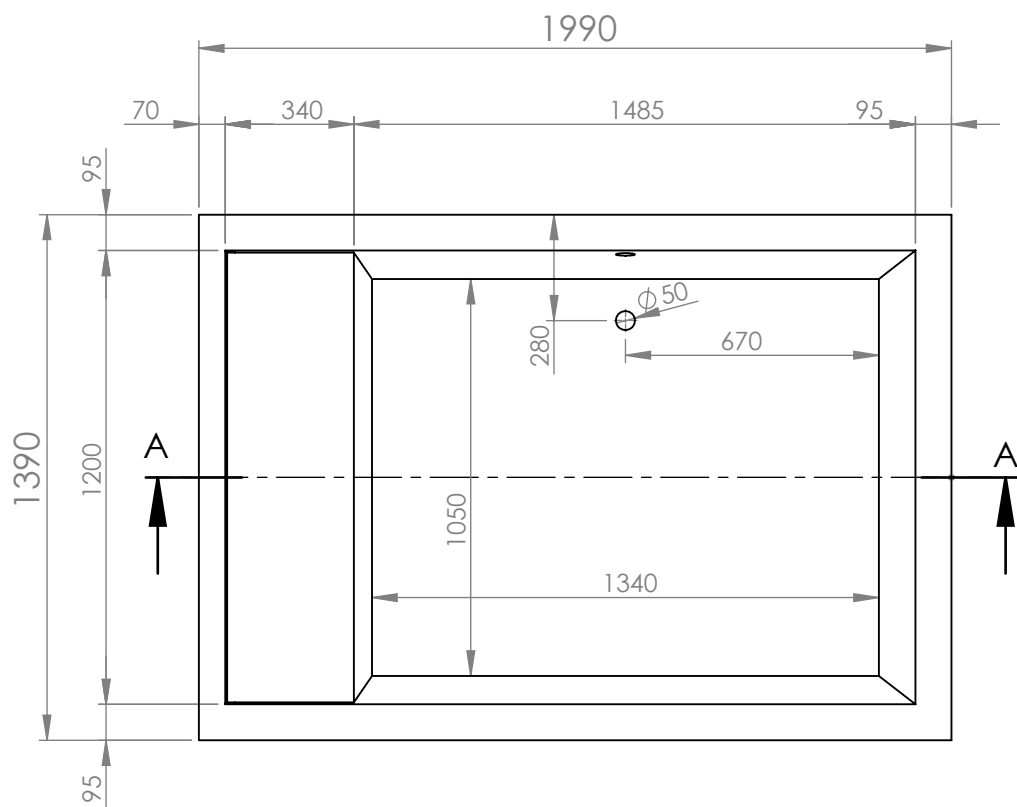
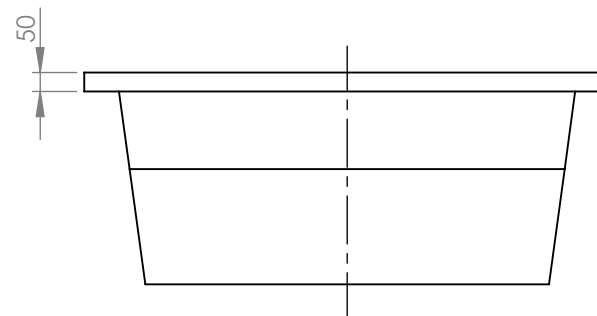



SECTION A-A



		TITLE:	
		BATHTUB OLYMPIA 200X140	
DRAWN	DATE	NAME	DWG NO.
	29/12/2022	KONSTANTINOS PAIZANOS	
		SCALE:1:20	A4
		SHEET 1 OF 1	