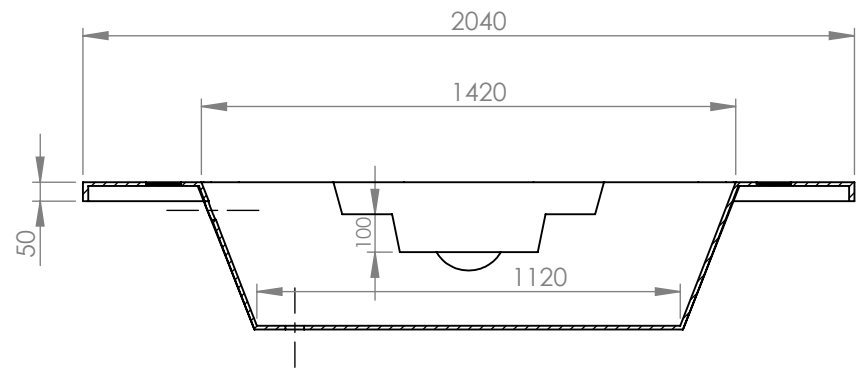
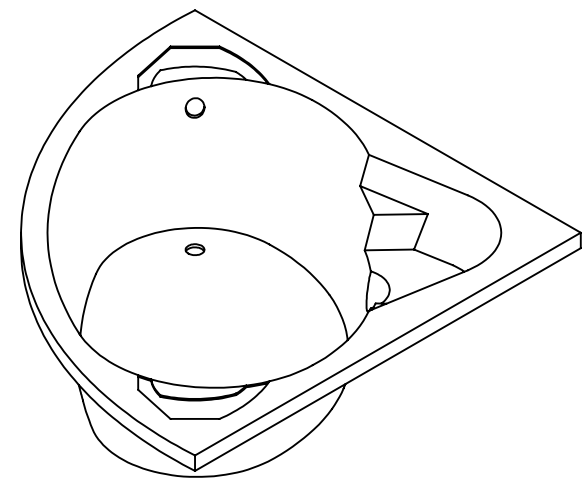
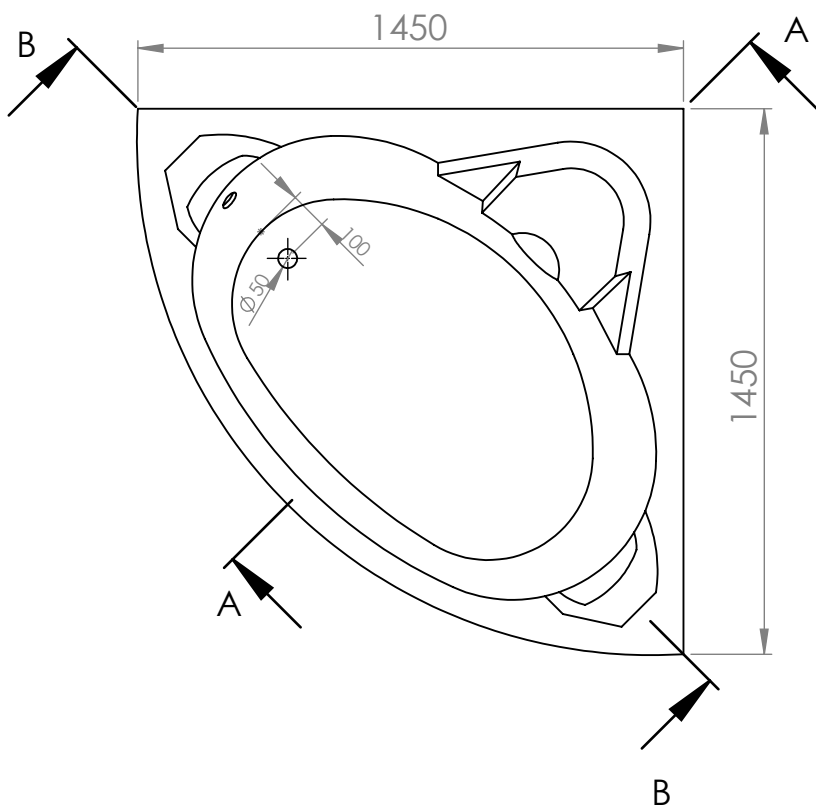



SECTION A-A



SECTION B-B



			TITLE:	
			BATHTUB MYKONOS 145X145	
DRAWN	DATE	NAME	DWG NO.	
	23/11/2021	KONSTANTINOS PAIZANOS	A4	
SCALE:1:20			SHEET 1 OF 1	