

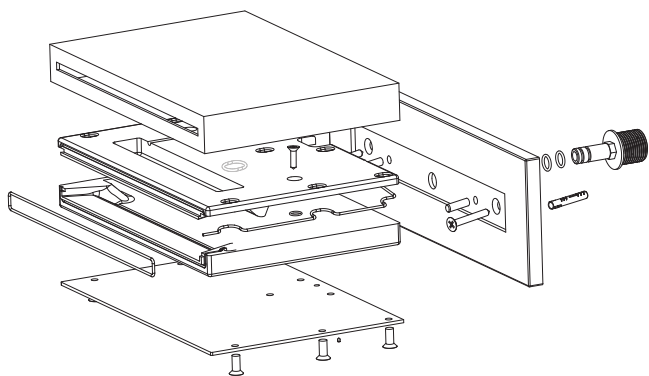
WATERFALL SPOUT COLLECTION

# WATERFALL SPOUT

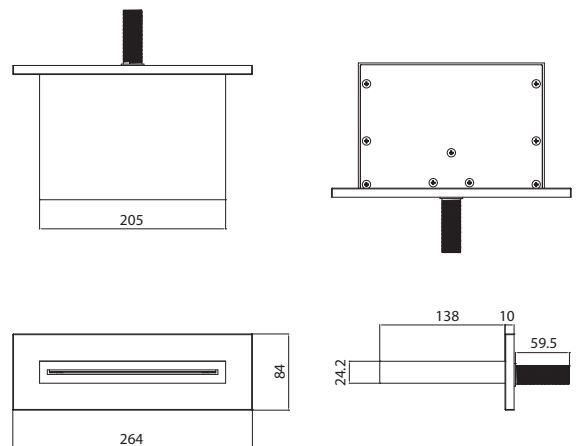
FINISHING: **CHROME PLATED**



## COMPONENTS DETAILS



## DIMENSIONS



# WATERFALL SPOUT

## TECHNICAL DETAILS






Bathtub mount connector	1/2"	
Blade width water output	182 mm	
Blade thickness water output	1,5 mm	
Water flow rate	<b>Bar</b>	<b>lt/min</b>
	1,0	18,2
	1,5	21,5
	2,0	24,9
	2,5	28,3
	3,0	30,2
Noise test	<b>Bar</b>	<b>dB</b>
	3,0	24
	5,0	27,9

## MATERIALS

Outer shell	ZAMAK
Base plate	ZAMAK
Bottom closure	BRASS
Internal cartridge	PLA/ABS
Seals	RUBBER
Locking screws	STEEL

Total weight kg	1,98
-----------------	------

## TECHNOLOGY

Suitable to work with chromotherapy LED devices	
Zero contact between water and Zamak parts	
No internal turbulence while it is operating	
Low emission of noise	
Patented water blade design	

## GENERAL OVERVIEW

High performance water flow

Stable and safe assembling system

### Suitable to be installed on:

steel, brass chrome plated, gypsum board, drywall, ceramic, corian, etc.

### The product is supplied with:

Nr. 2 wall fixing screws  
Nr. 2 fixing pins mouth/plate  
Nr. 1 water inlet connector

## INSTALLATION DIAGRAM

