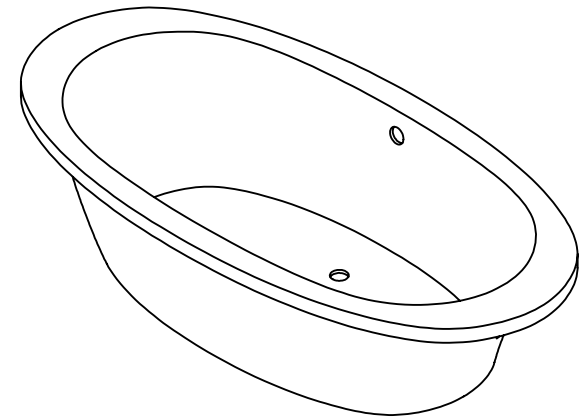
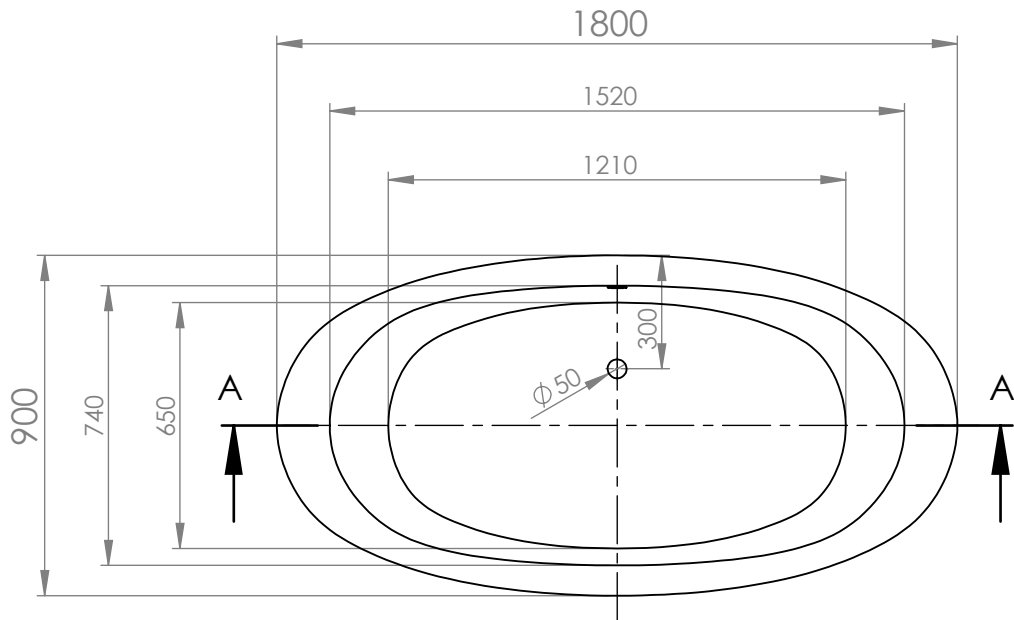
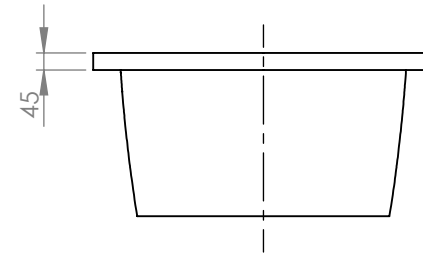

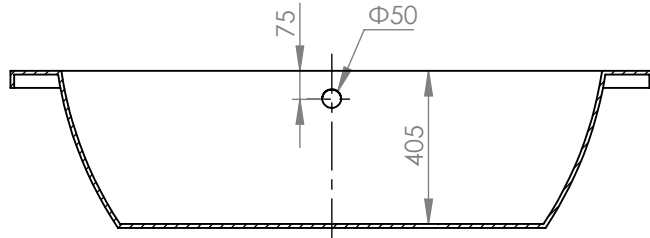


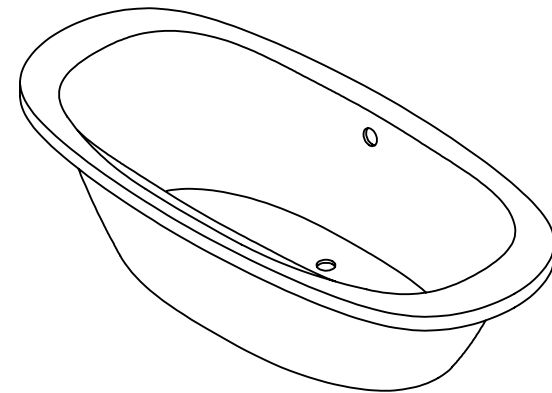
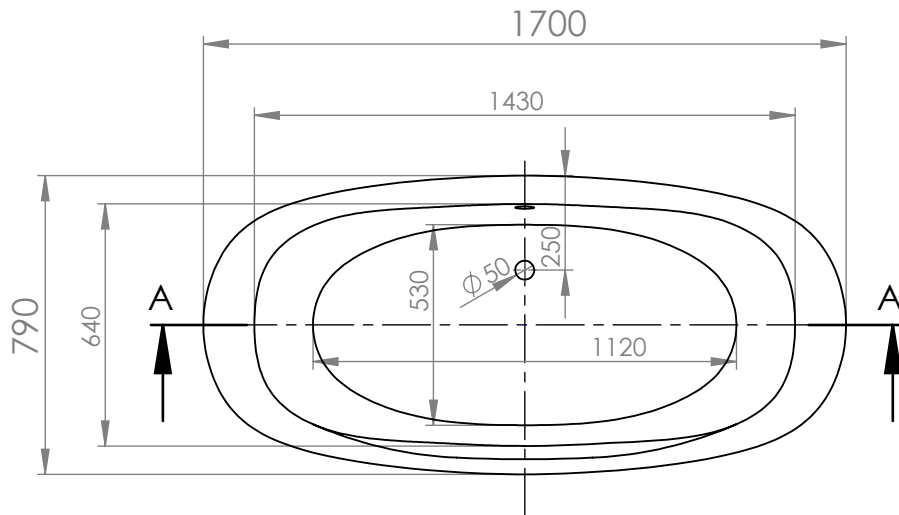
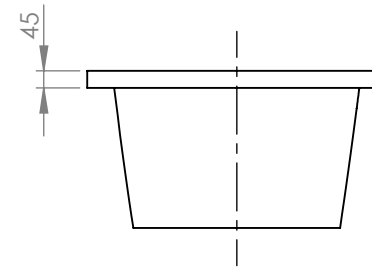
SECTION A-A




		TITLE:	
		BATHTUB MAKEDONIA 180x90	
DRAWN	DATE	NAME	DWG NO.
	24/05/2022	KONSTANTINOS PAIZANOS	A4
		SCALE:1:20	SHEET 1 OF 1



SECTION A-A



		TITLE:	
		BATHTUB MAKEDONIA 170x80	
DRAWN	DATE	NAME	DWG NO.
	24/05/2022	KONSTANTINOS PAIZANOS	A4
		SCALE:1:20	SHEET 1 OF 1