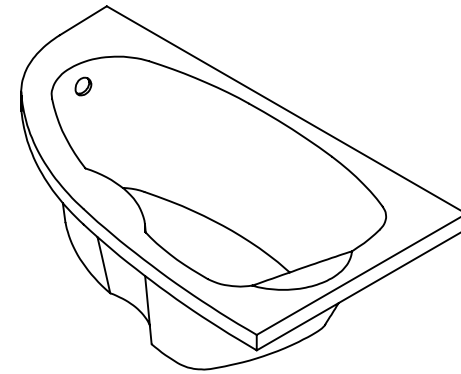
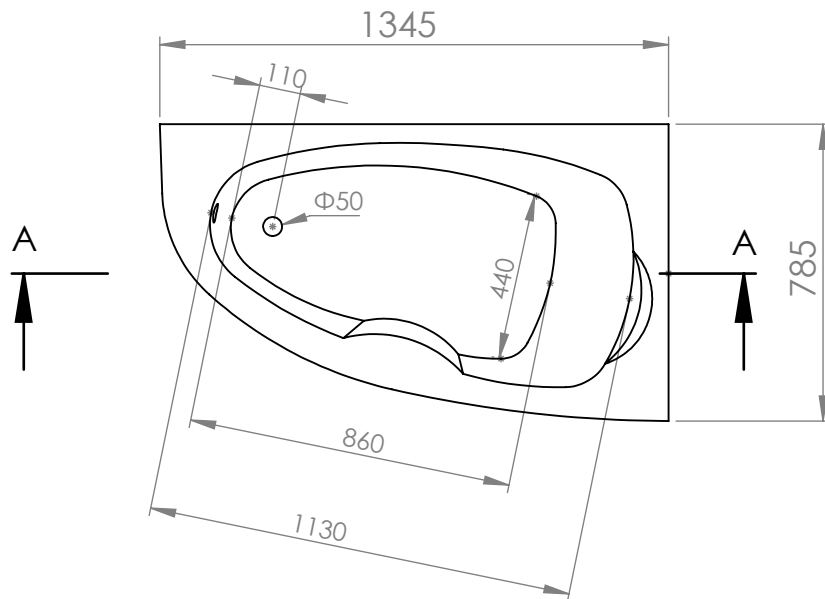
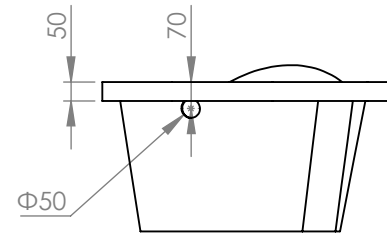

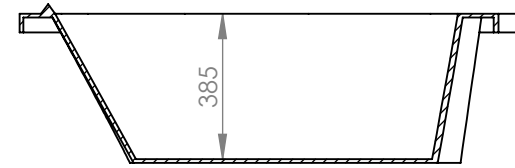
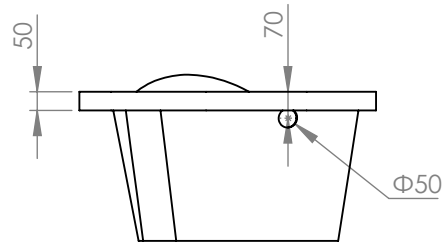


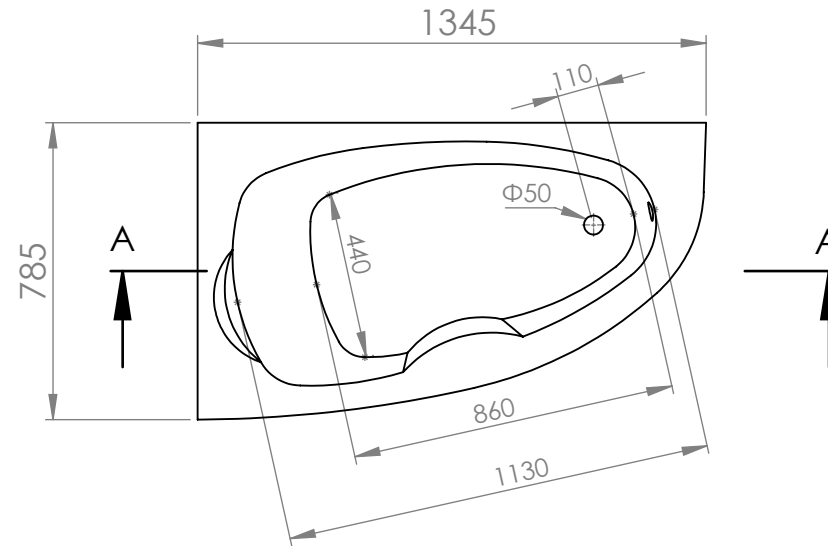
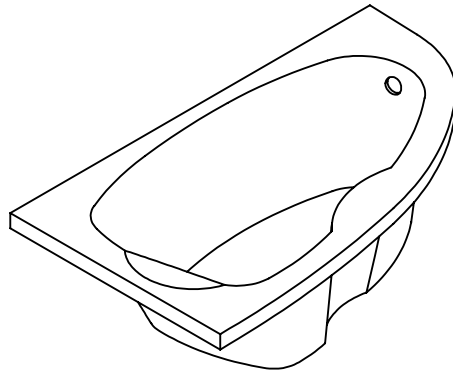
SECTION A-A




		TITLE:	
		BATHTUB KOCHILI RIGHT 135X80	
DRAWN	DATE	NAME	DWG NO.
	04/08/2022	KONSTANTINOS PAIZANOS	A4
		SCALE:1:20	SHEET 1 OF 1



SECTION A-A



		TITLE:	
		BATHTUB KOCHILI LEFT 135X80	
DRAWN	DATE	NAME	DWG NO.
	04/08/2022	KONSTANTINOS PAIZANOS	A4
		SCALE:1:20	SHEET 1 OF 1