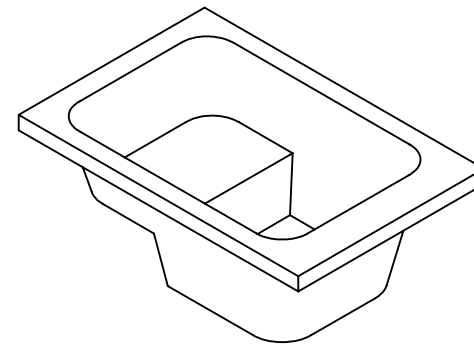
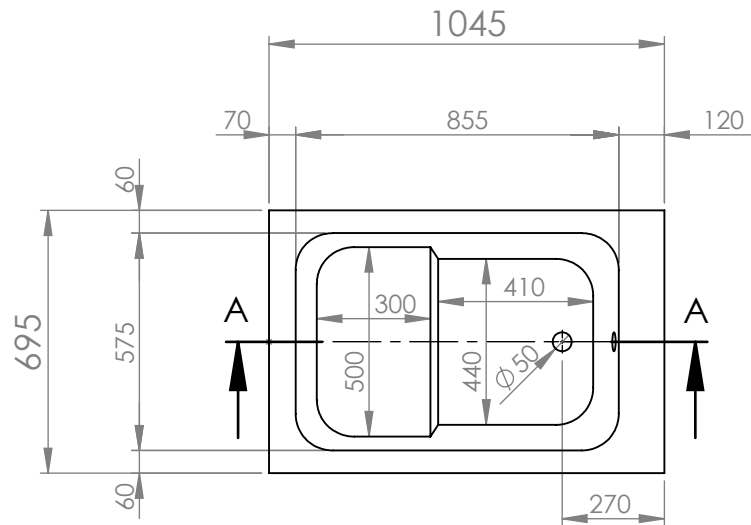
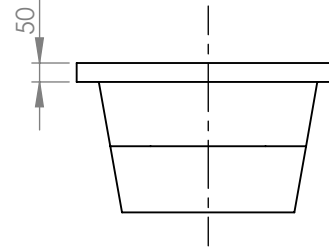



SECTION A-A



		TITLE:	
		BATHTUB KIMI 105X70	
DRAWN	DATE	NAME	DWG NO.
	23/01/2023	KONSTANTINOS PAIZANOS	A4
		SCALE:1:20	SHEET 1 OF 1