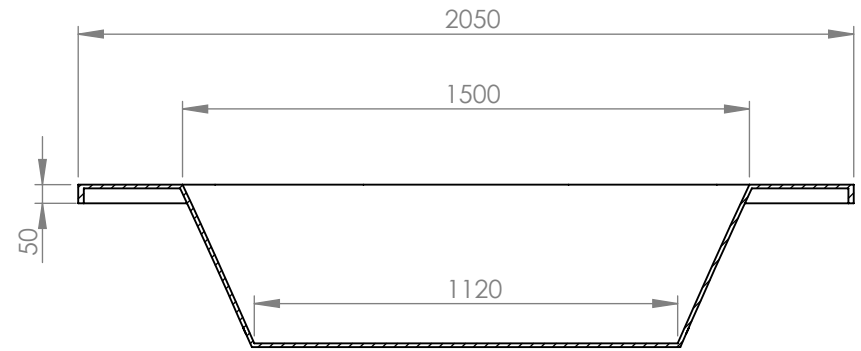
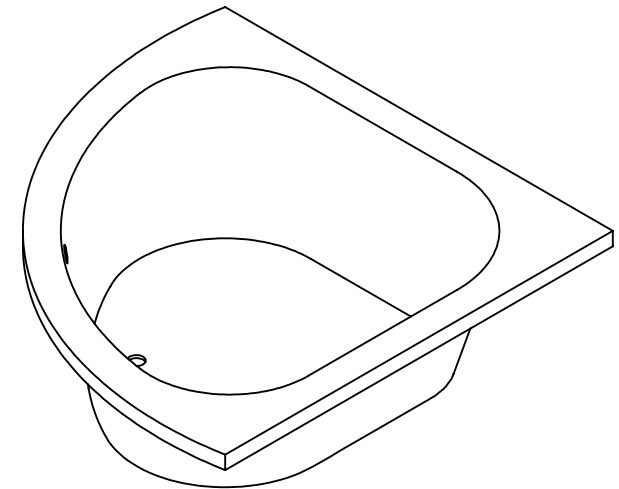
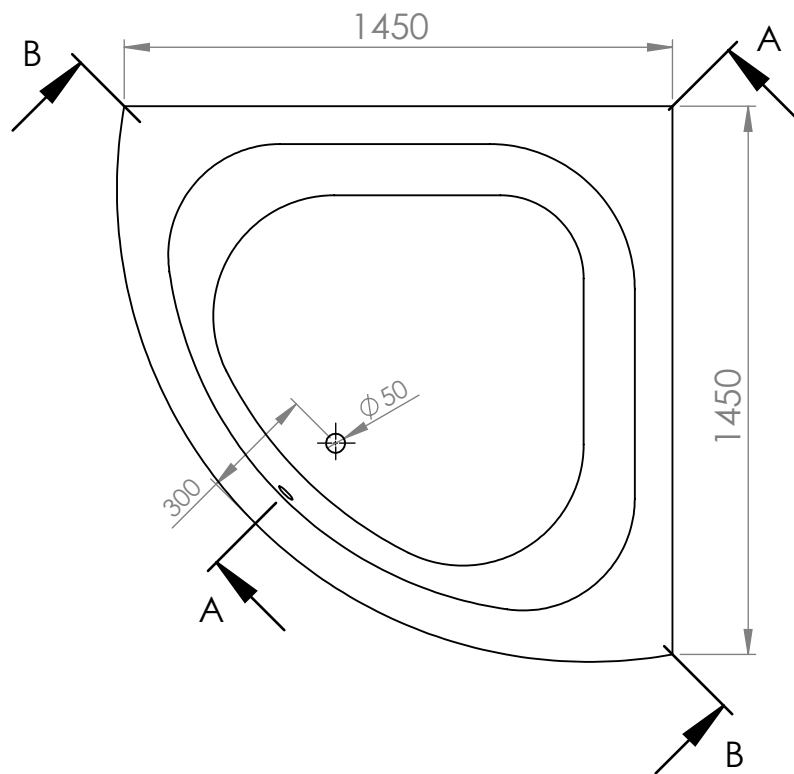


SECTION A-A



SECTION B-B



		TITLE:	
		BATHTUB ISABEL 145X145	
DRAWN	DATE	NAME	DWG NO.
	23/11/2021	KONSTANTINOS PAIZANOS	A4
		SCALE:1:20	SHEET 1 OF 1