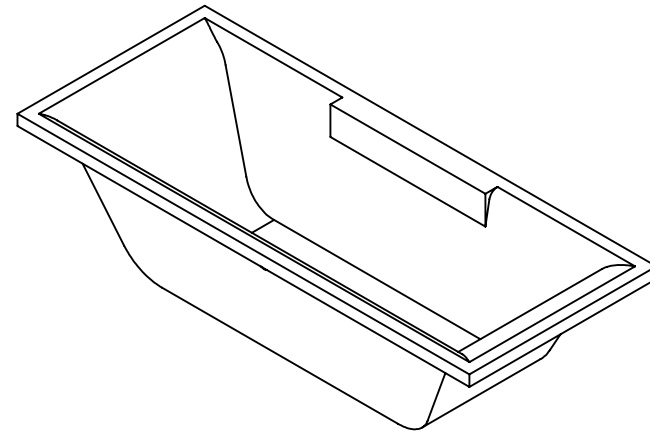
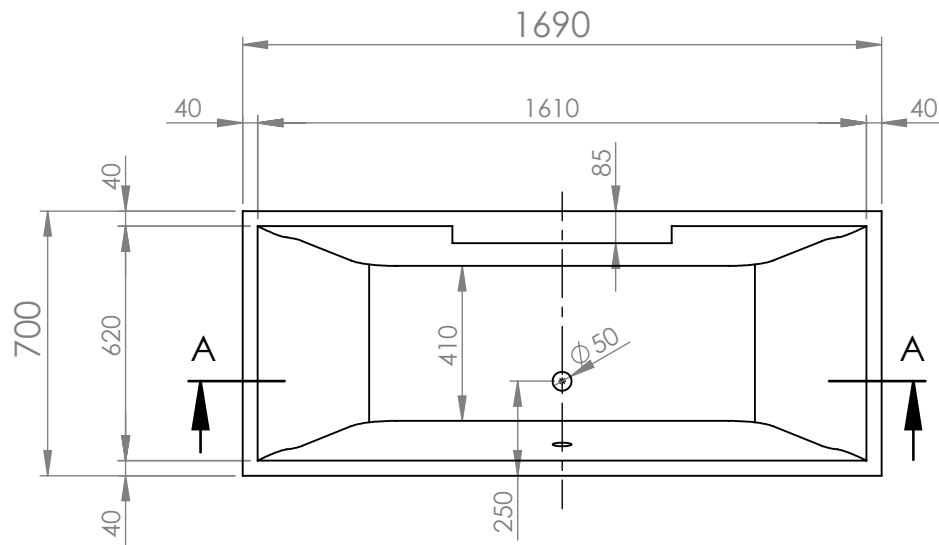
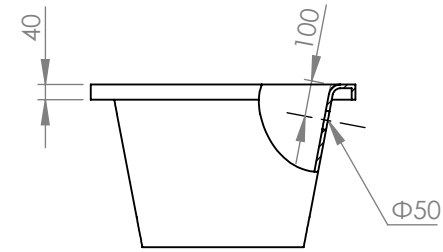

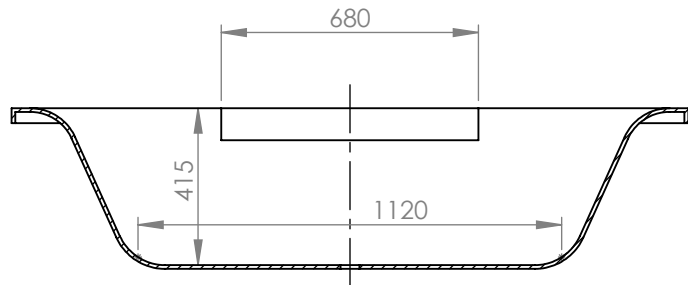


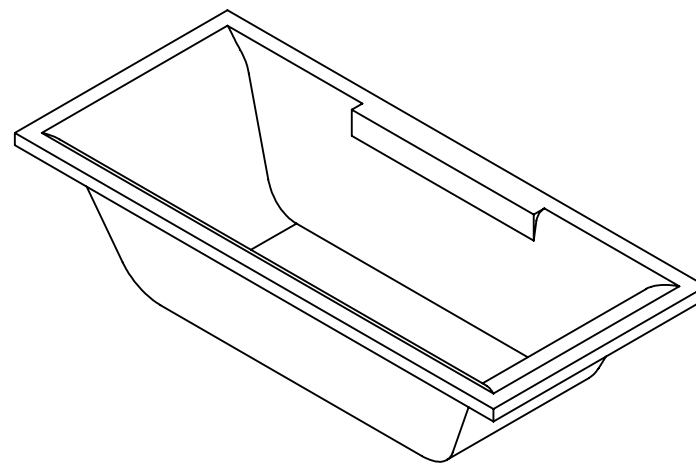
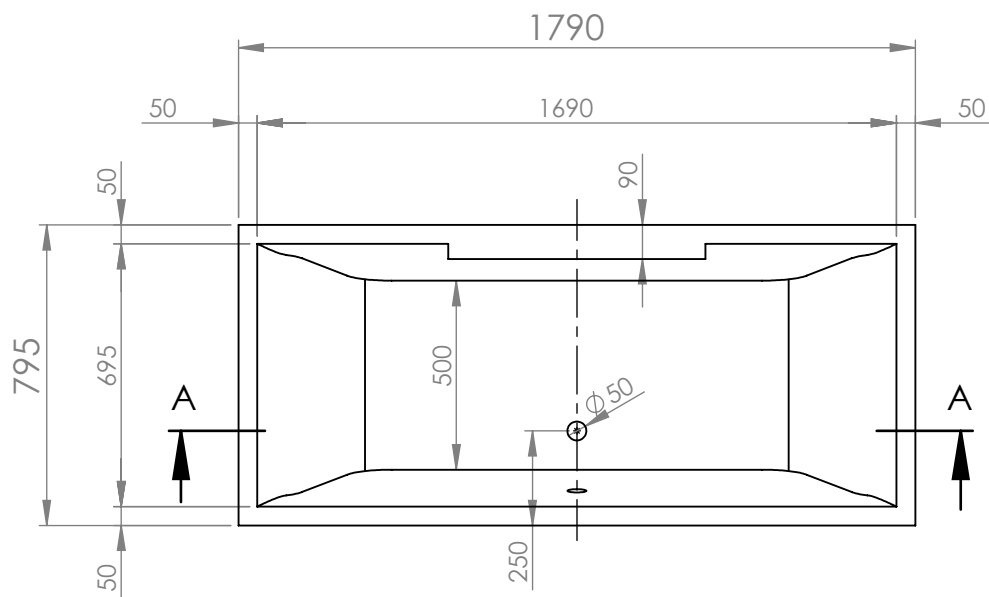
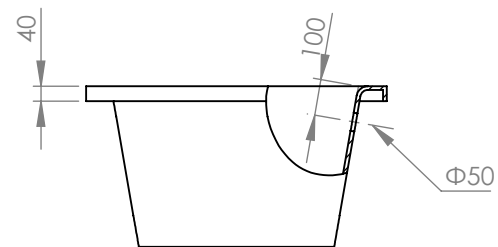
SECTION A-A



		TITLE:	
		BATHTUB IOS 170X70	
DRAWN	DATE	NAME	DWG NO.
	18/06/2022	KONSTANTINOS PAIZANOS	A4
		SCALE:1:20	SHEET 1 OF 1



SECTION A-A



		TITLE:	
		BATHTUB IOS 180X80	
DRAWN	DATE	NAME	DWG NO.
	22/01/2023	KONSTANTINOS PAIZANOS	A4
		SCALE:1:20	SHEET 1 OF 1