

acrijan
Water Experience

*Manual
for installation and use*



**Vapor
Only Touch**



CAUTION!



The installation must be effected by personnel possessing the technical and professional qualifications required by the national regulations and specifications in force in this field.

The manufacturer declines all liability for events arising from incorrect installation or operation of the tub.

The product is designed for indoor use in bathrooms, and must not be installed in the open.

Always power off the product (omnipolar switch in the OFF position) when maintenance is to be performed on electrical components.

The guarantee conditions are listed in the guarantee certificate.

ELECTRIC SAFETY

The product is class "I" appliance. They must be fixed securely and connected sturdily to the mains and to the earthing and unipotential systems.

The manufacturer accepts no liability if the hydraulic and electrical circuits are not in compliance with EN safety standards.

The building's electrical circuit must be in compliance with EN safety standards and protected by a standards-approved differential switch (safety cut-out) with a differential value of 30mA.

The cut-out must be periodically tested for correct operation.

The earthing system must have a resistance less than 4 ohm.

The product is provided with an unipotential attachment terminal suitable for receiving a 6 sq.mm 2.5 cable to be used to obtain the unipotentiality of the metal masses.

The connection to the electrical mains must be permanent and made with a cable that is not lighter than type H05 VV-F tri-polar, with a nominal section of 3x2.5 mm². It must be intercepted by an **omnipolar switch** with opening of contacts of at least 3.5 mm suitable for voltage of at least 230/400 V and a current of 16 A. It should if possible be located outside the room and distant from locations where it might come into contact with water.

CONNECTING THE EQUIPOTENTIAL CIRCUIT

Provide equipotential connection of the metallic masses extraneous to the shower booth by using the earth equipotential contact.

Arrange the cable outlet near the electrical power supply.

SAFETY RULES FOR BATHROOMS

Sockets, lights, switches and other electric devices must be installed outside the danger zones as laid out by the Laws and international standards for bathrooms.

Switches and other electric devices must be situated in areas that cannot be reached by the person using the shower booth.

It is strictly prohibited to touch, handle or switch-on electric appliances while using the shower booth.

Electrical appliances positioned in the zones surrounding the shower box must be securely fixed in position to prevent them falling into the shower box.

THE PRODUCER DECLINES ANY RESPONSIBILITY IF :

The Laws and national standards regarding earthing and electric systems for the product are not respected.

The Laws and national standards in force regarding safety for bathrooms are not respected.

The instructions contained in this manual are not adhered to.



PRECAUTIONS

The material used for the construction of the shower booth is extremely tough and durable, which is demonstrated by the widespread use of this material in many industries.

However, this material may be damaged by certain chemical substances such as acetones and solvents in general, and stained by alcohol-based liquids if these are not removed immediately.

For this reason, it is advisable to protect the tub with paper or cardboard (the packing cartons may also be used) during installation, in order to ensure that no abrasive substances or paint come into contact with the surface.

It is also advisable to avoid placing tools on the surface of the shower plate.

Before installing the bath, check it with care.

Any damage of defects found after the bath has been installed will not be covered by the guarantee.

Immediately on delivery, check that the appliance is in perfect condition and that the packaging is not damaged in any way.

When moving the hydromassage tub, always grip the edges or the frame. Ensure that the pipes are not damaged when moving the tub.

Never lift or move the column by its pipes (or by the multipurpose holder).



SAFETY DISTANCES

Shower areas, saunas, bathrooms, swimming pools and the surrounding areas are classified by EN safety standards as special zones, since the humidity and dampness associated with these areas can make them extremely dangerous.

The standards specify four clearly-defined areas:

zone 0, 1, 2 and 3.

The omnipolar switch with opening of contacts of at least 3.5 mm must be located outside of these zones, distant from possible contact with water.

The limits of the various danger zones may be modified by the presence of walls, protective panels and fixed insulating walls which limit access to the tub or to the shower plate.

In this case, the area is delimited by taking a piece of string whose length is that of the area and winding it around the wall to the opposite side. The path taken by the end of the string marks the danger zone.

The zones that are external to the four danger areas are considered to be normal.

IMPORTANT !!

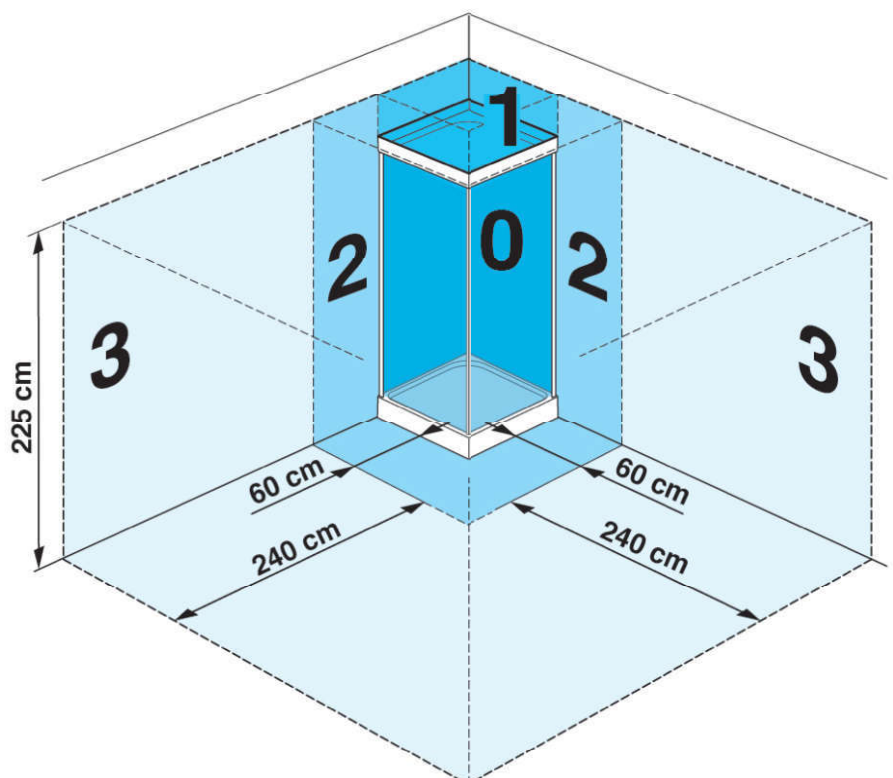
Consult the technical data sheet of the shower booth to be installed.

For the system to operate correctly the feed water must not contain impurities (sand, rust, etc.) and must have a pressure ranging from 1.5 to 3 bar.

We suggest the installation of a 100 micron feed water filter and of a water softener.

Before positioning the shower box, it is the duty of whoever assembles the product to check that all the connections are watertight.

This guarantee is not valid if there are leaks after the product has been installed.

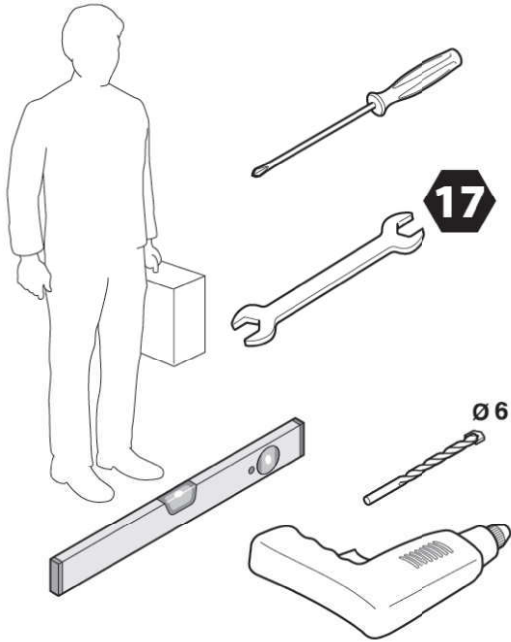





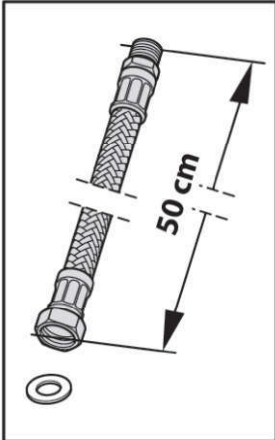
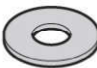
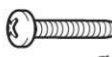

tools



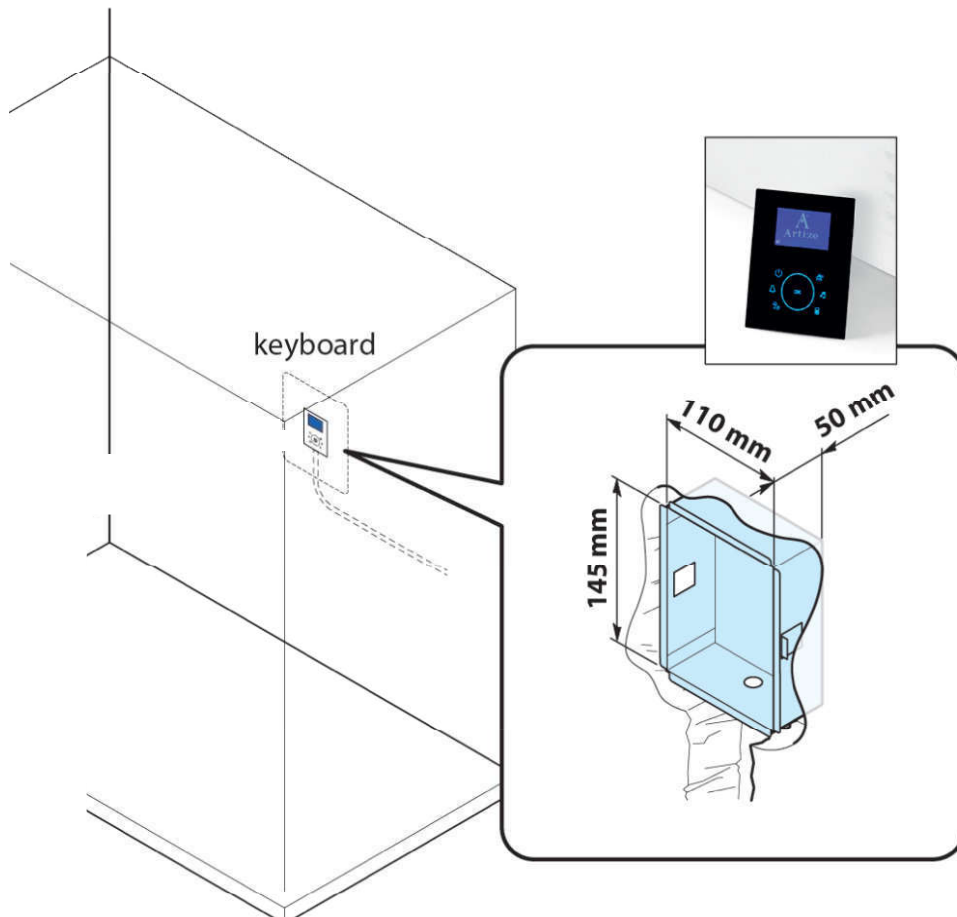
kit

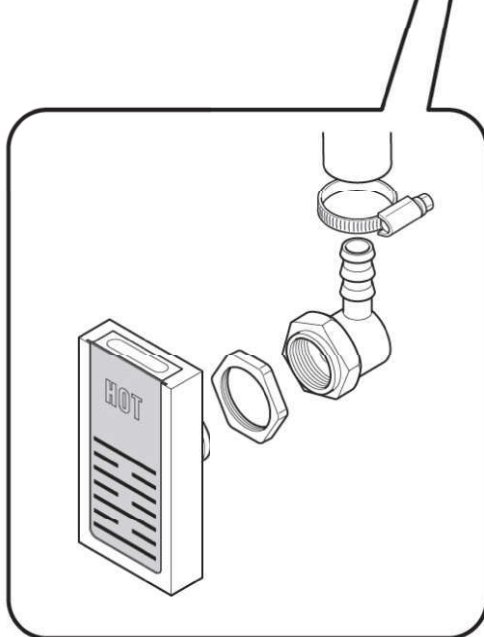
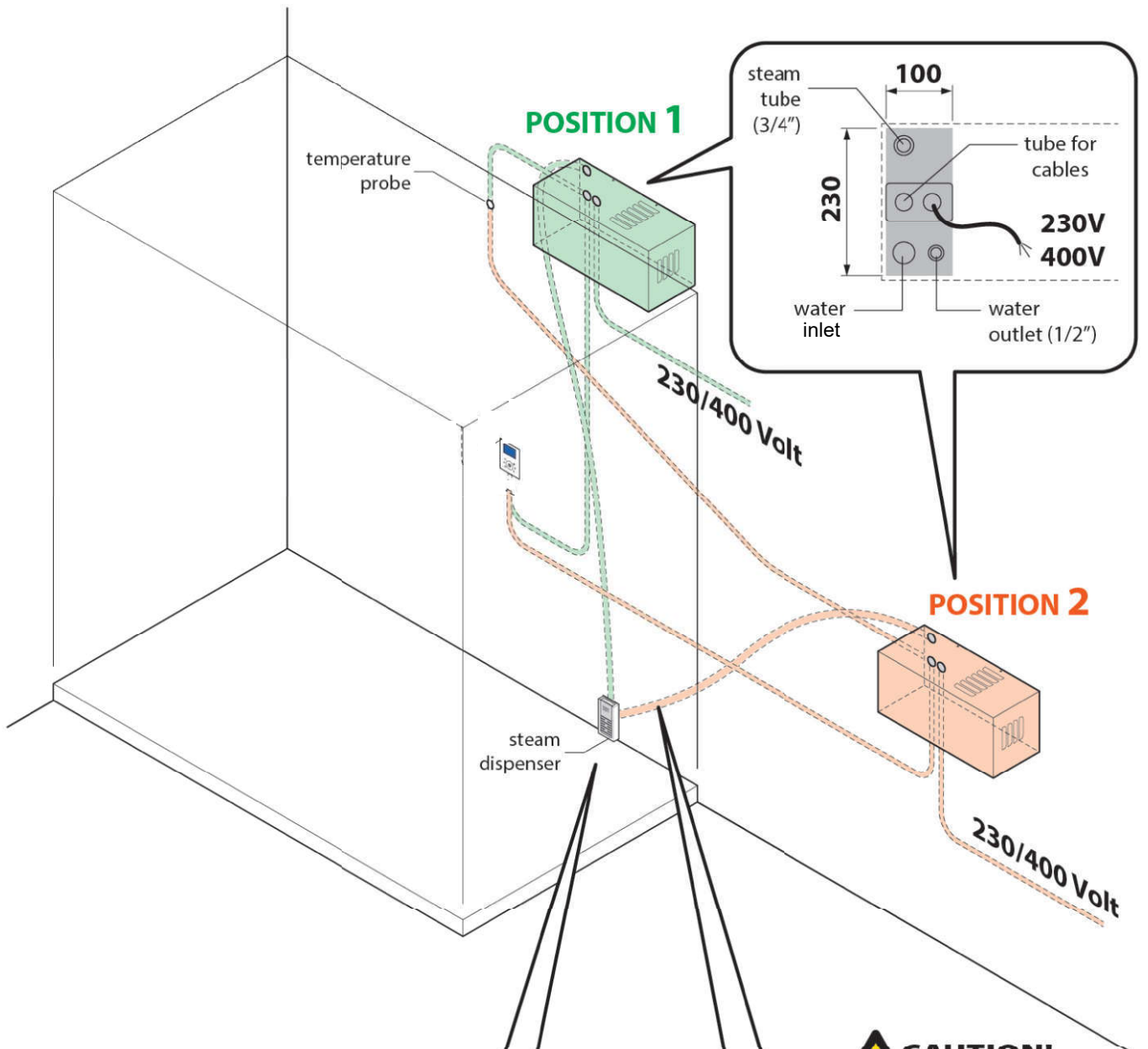


17

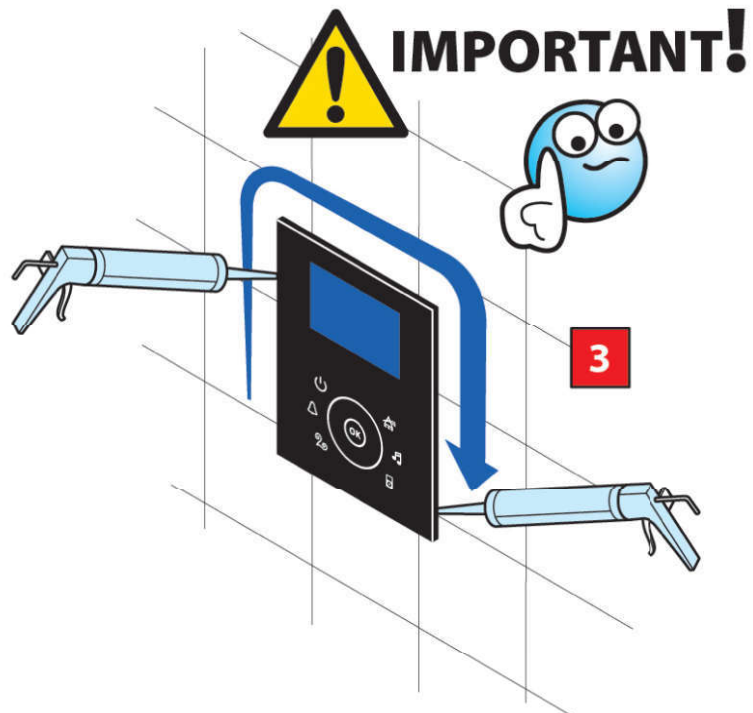
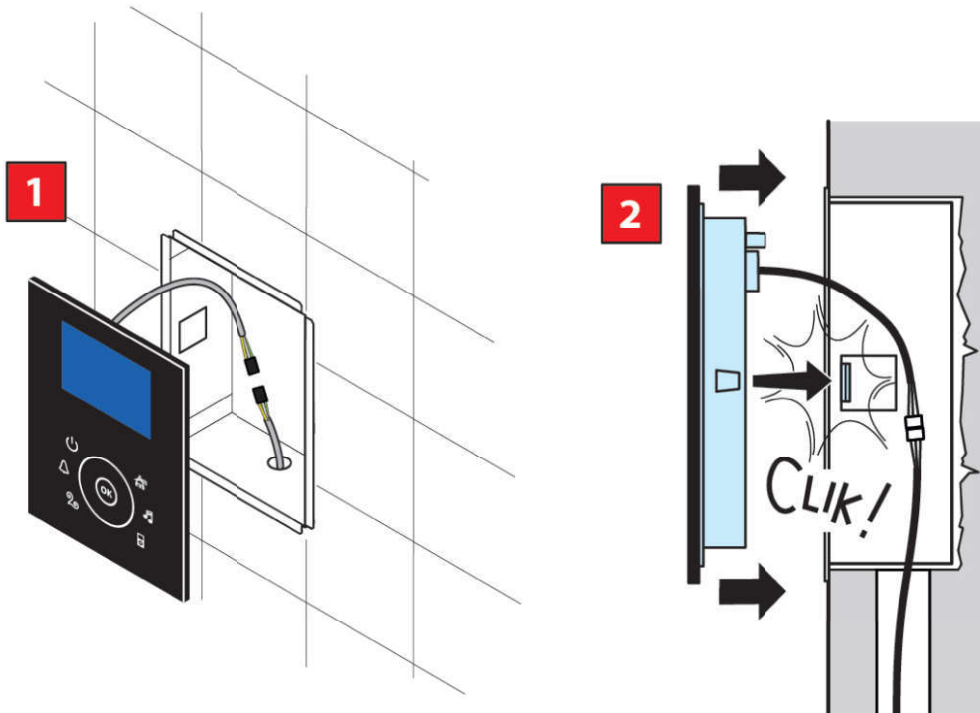
A	 Ø6	n°2	
B	 TC Ø4,2x38	n°2	
C	 Ø5x16	n°2	
D	 Ø5x16	n°2	

predispositions

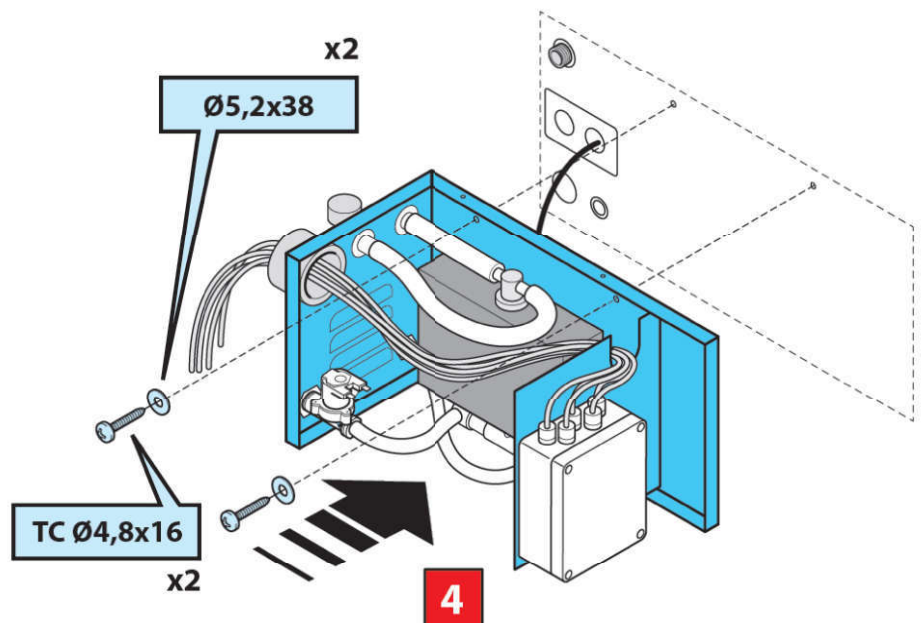
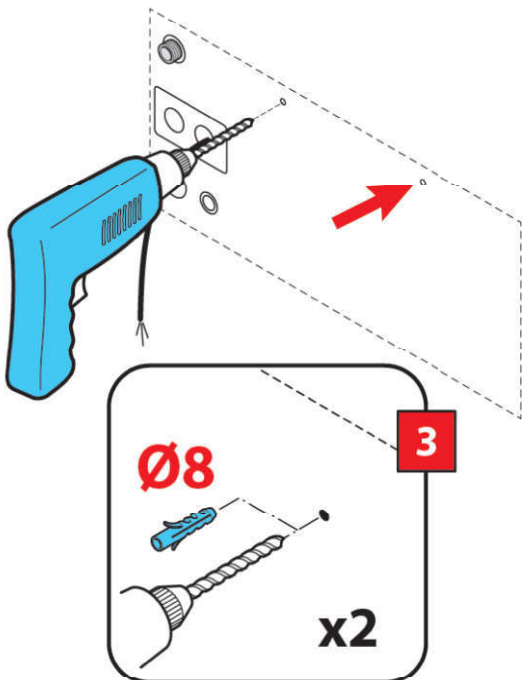
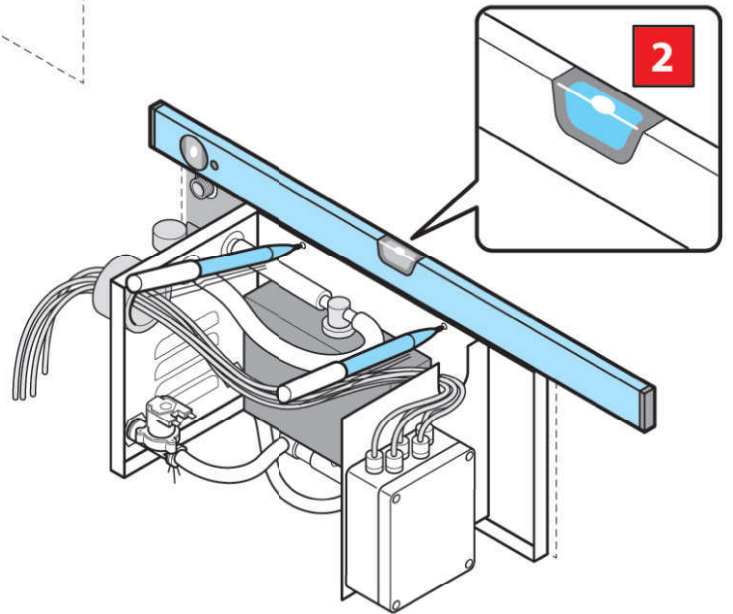
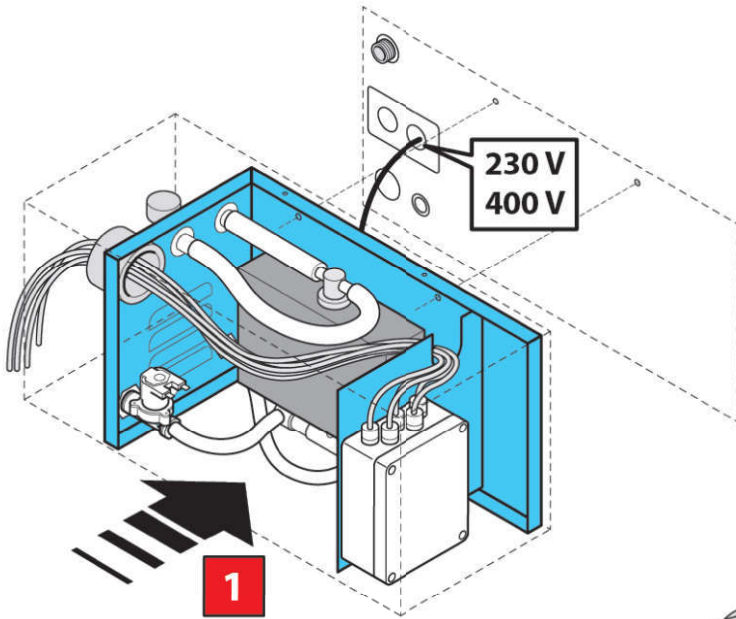




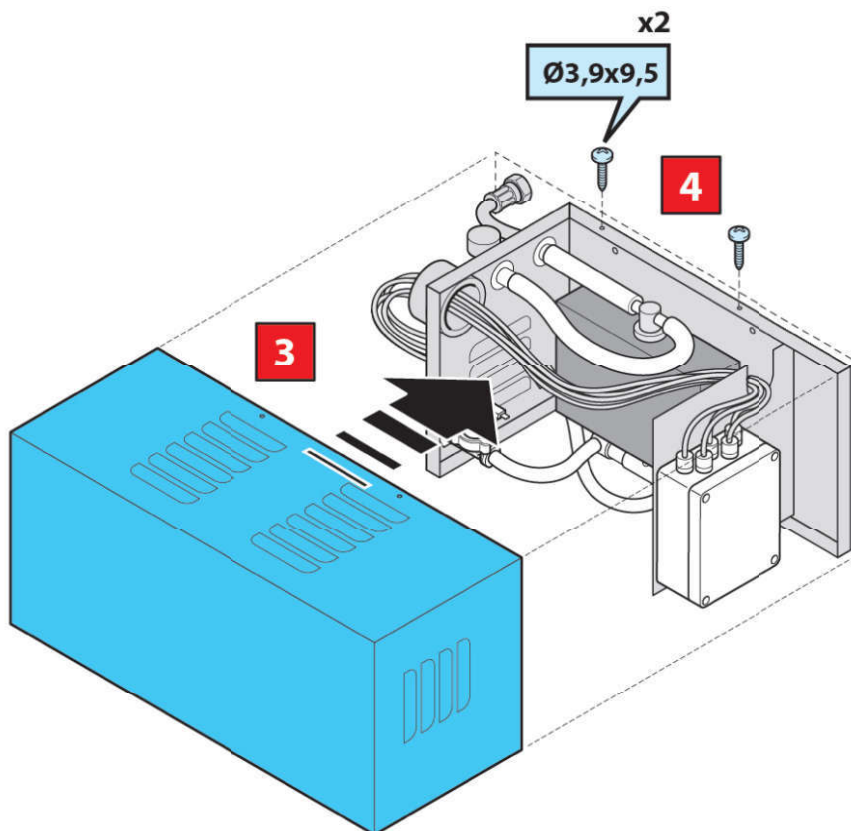
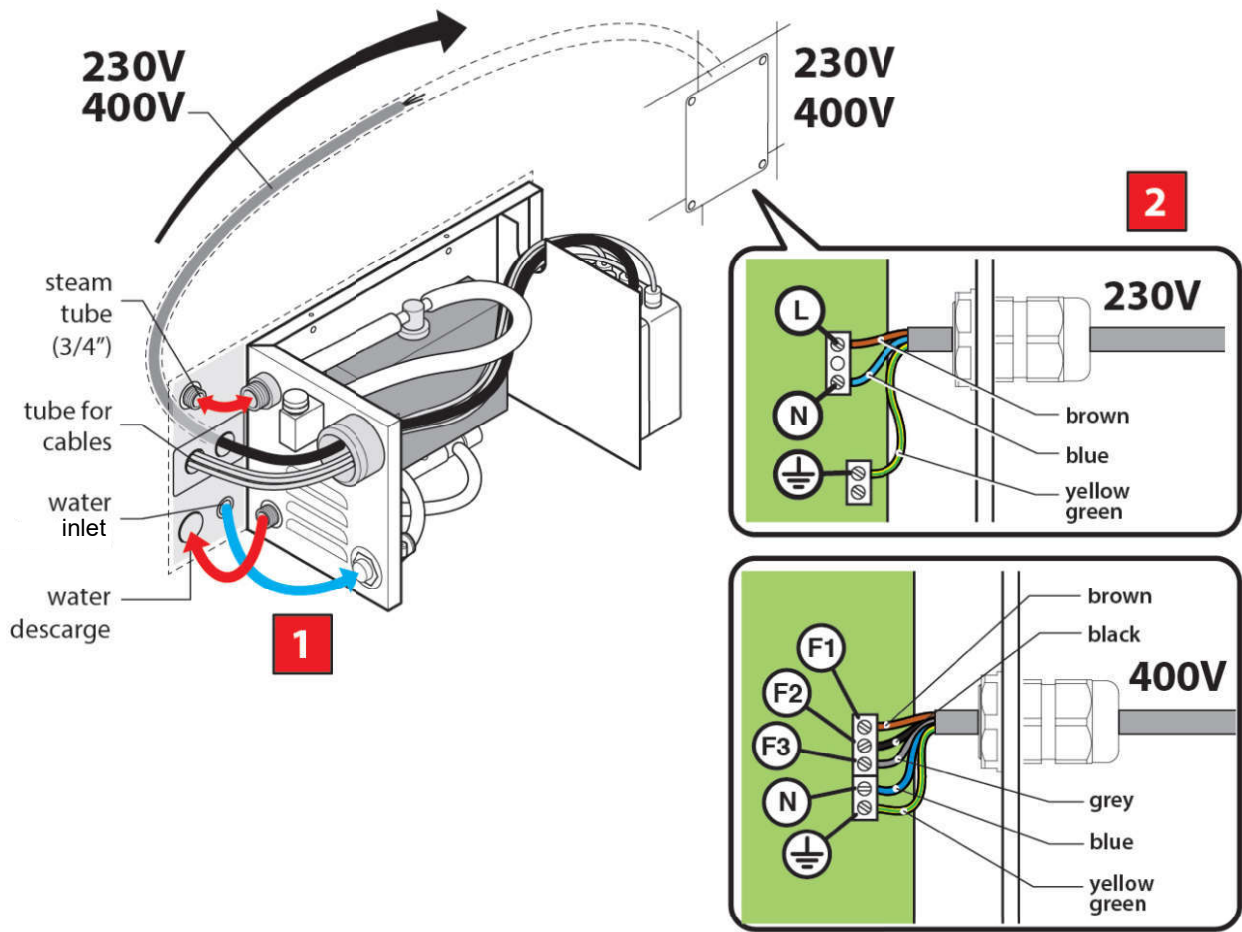
1 assembly sequence



2



3





The manufacturer will not be held liable in any way should:

- The product not be installed by qualified or authorised staff.
- The installation and maintenance instructions provided in the manuals not be observed.
- The regulations and legal provisions regarding electrical and plumbing systems not be abided by.
- The standards referred to in this manual not be observed.
- Uncertified materials be used for installation.
- Incorrect operations be carried out, to the extent that the degree of protection against water sprays is reduced.
- Product components be modified or replaced with respect to those originally supplied, or should repairs be carried out by unauthorised staff.

Warnings:

- 1) Never use or touch electrical appliances when using the shower box, even when these appliances are switched off.
- 2) Electrical appliances positioned in the zones surrounding the shower box must be securely fixed in position to prevent them falling into the shower box.
- 3) Do not leave children alone while using the turkish bath.
- 4) Do not place animals in the shower box when the turkish bath is in operation.
- 5) Do not use the turkish bath during thunderstorms.
- 6) Pregnant women and very small children should use the appliance only with the consent of a physician.
- 7) During Turkish bath usage, take care with the hot steam which reaches very high temperatures (100°C). Keep your legs at least 40 cm away from the steam outlet.
- 8) After use, as with any other household appliance, it is advisable to disable the enclosure, flipping the RCBO switch (installed on the power supply line) to the OFF position.
- 9) This product is guaranteed as described on the certificate of warranty.

keyboard

FEATURES

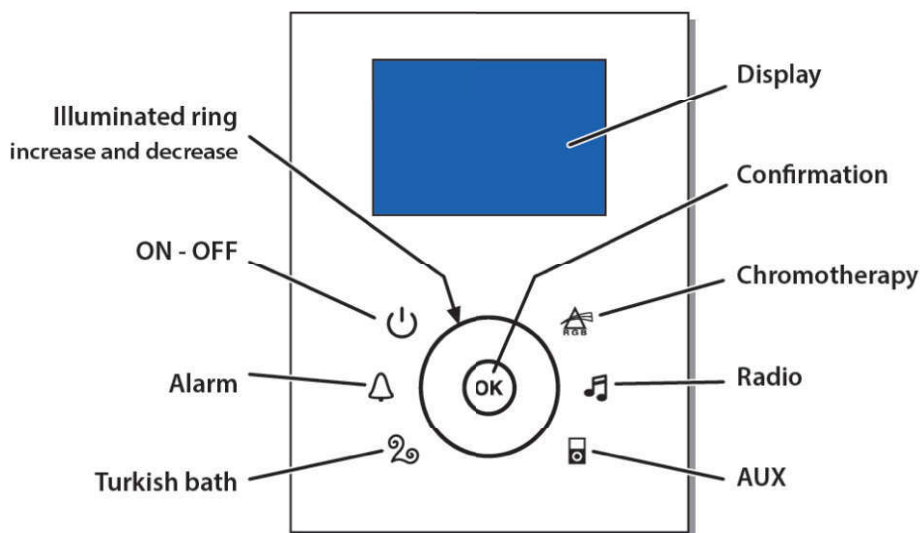
This keypad features "touch screen" technology to control 6 functions:

- ON/OFF
- Alarm
- Turkish bath
- Chromotherapy
- Stereo FM radio
- AUX (external auxiliary control)

N.B.: in the "TOP" version, the function (with the related symbol) is replaced by the "whirlpool shower" function.

Illuminated ring:

Increases or decreases the "values" of the functions. Simply slide a finger inside and move it clockwise or anti-clockwise.



keyboard

ON/OFF

When the shower enclosure is not in operation, the display and function symbols on the keypad are turned off.

The keypad does however keep a proximity sensor active to detect if a hand is approaching.

Wait status (WAIT)

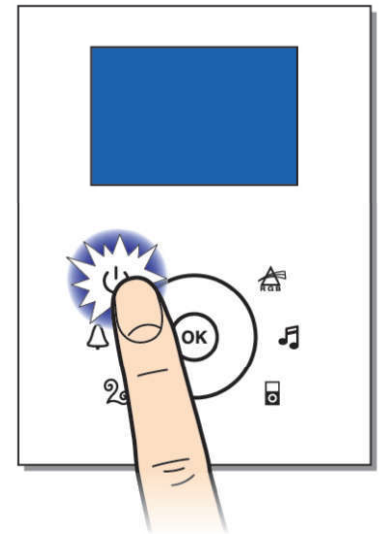
When a hand approaches the keypad, only the **ON/OFF** symbol is turned on.

Activity status (IDLE)

Touch the **ON/OFF** symbol to “activate” the keypad (IDLE status).

If no further instructions are provided within the next 2 minutes, the keypad returns to the “wait” status.

Illuminated ring



settings



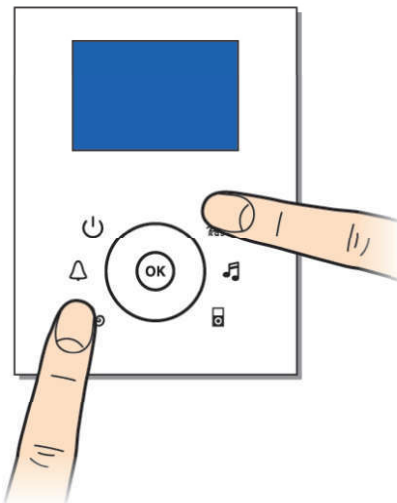
Language Selection

Touch these “symbols” together at the same time for a few seconds.

The display shows the two language selection flags (Italian or English):

use the **illuminated ring** to switch selection from one language to the next.

Touch (**OK**) to confirm your chosen language selection.



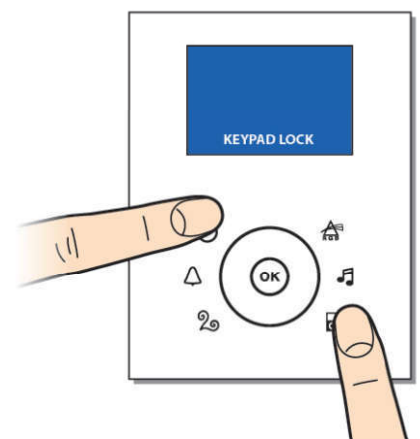
Keypad lock

Touch these “symbols” together at the same time for a few seconds.

The display shows the logo and the wording “**KEYPAD LOCK**”:

Keypad unlock:

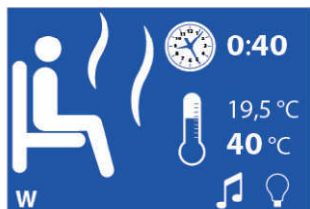
To restore keypad use, touch the same “symbols” together at the same time for a few seconds.



turkish bath



Touch this "symbol".
The programme starts immediately, using the last duration and temperature settings made.



- The display shows:
- 1 - an image of the Turkish bath.
 - 2 - the time left until the end of the programme.
 - 3 - the related temperature. (lower case).
 - 4 - the programmed temperature. (upper case)

If the **radio** or **chromotherapy** are on, the related icons are shown on the display.

N.B.:

The 2 letters which may appear at the bottom left mean:

W = waiting for water drain (15 min.)

F = Water drain



**IMPOSTAZIONE
RITARDO
2h:30m**

Changing parameters

Touch **(OK)**.
On the display, the programmed **temperature** begins to flash and you can increase or decrease this value using the **illuminated ring**.

Touch **(OK)** again to confirm the new temperature value.

The **duration** value begins to flash.

You can increase or decrease this value using the programme **duration** using the **illuminated ring**.
Touch **(OK)** to confirm the value set.

CAUTION:

If no instructions are given for 10 seconds when changing one of the parameters, you automatically quit the "**changing parameters**" mode.



0h:54m

"Delayed start" setting

You can set a "delay" for the automatic start of the Turkish bath programme.

Once it has been set, a countdown begins until the start of the programme at the programmed temperature and for the programmed duration.

In wait status, hold your finger over the **ON/OFF** symbol for 5 seconds.

The display will show a value which you can change using the **illuminated ring** to determine the automatic start of the Turkish bath cycle.

Touch **(OK)** and you will be prompted for confirmation.

Touch **(OK)** to confirm the "delayed start".

BOILER CLEANING

Cleaning the boiler

The keypad stores the "overall" boiler usage time (the total of all the times it was used).

If the boiler has been used for over 70 hours, the display prompts you to clean the boiler

for 10 seconds (at the start of the "**Turkish bath**"). After 10 seconds, the "Turkish bath" programme continues normally but the "caution" icon remains lit on at the bottom right of the display to remind the user to perform "**boiler cleaning**" (see cleaning instructions on page 15).

To "**reset**" the boiler operation time count, simply touch the "**ON/OFF**" and "**Alarm**" symbols together at the same time for 5 seconds when the display prompts you to clean the boiler.

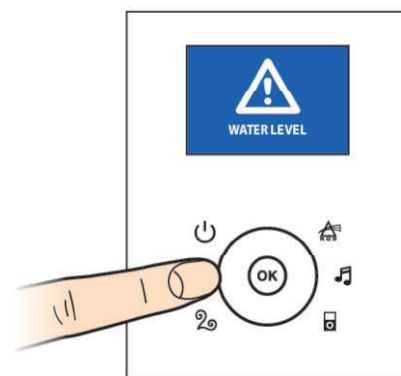
"boiler water level" Alarm



WATER LEVEL

If, during a "Turkish bath", the water level in the boiler drops below a minimum level, the programme is suspended and the display shows the error..

To reactivate the shower enclosure functions, hold your finger over the "Alarm" symbol for 2 seconds.



chromotherapy



Touch the symbol to start.
The “white” light comes on and the display shows that chromotherapy is on.

Touch **(OK)** to start the last chromotherapy programme used.



Programme selection

To select another programme, touch the “chromotherapy” symbol; use the illuminated ring to browse through the list of programmes until you find the desired one; touch **(OK)** to start the programme.

Programme changes

If you touch the illuminated ring during a programme, the latter is suspended and retains the colour of the light “in use” at that particular moment.



- 1) Completo
- 2) Bianco int.
- 3) Rosso Verde
- 4) Verde Blu
- 5) Rosso Blu
- 6) Colori Puri
- 7) Verde Blu int.
- 8) Blu Rosso int.

Use the illuminated ring to modify all colours manually.
Touch **(OK)** again to resume the cycle.

Switching off

The light is switched off when you hold your finger over the “chromotherapy” symbol for 2 seconds.



music therapy



FM Radio

Touch this “symbol”.
The first time you use the radio, it tunes in to the first frequency.



Use the **illuminated ring** to adjust the volume.



- RICERCA MAN.**
- 1) RADIO 24
 - 2) CAPITAL
 - 3) VIRGIN
 - 4) DEEJAY
 - 5) RMC
 - 6) NO PROG

Tuning:

Touch **(OK)**.
Skim your finger over the **illuminated ring** to search for the previous or next station.
Once the radio has tuned into a channel of your liking, touch **(OK)** to quit **tuning** mode.

Frequency storage:

In **tuning** mode, hold your finger over **(OK)** for 2 seconds.

The display shows a menu:

Use the **illuminated ring** to browse through the programmes and select the one on which you wish to store the frequency.

Touch **(OK)**.

If you don't touch **(OK)** for 10 seconds, the device automatically returns to tuning mode.

Programme search

Touch the **Radio** symbol.

Browse through the list of programmes until you find the desired one and touch **(OK)**.

To switch off the radio, hold your finger over the **Radio** symbol for 2 seconds.



AUX

You can use this function to listen to music using an “MP3 player” placed outside the enclosure.



CAUTION:

Before using this function, connect the MP3 player to the cable featured on the roof and switch it on.

Touch the **RADIO** symbol to switch on the radio and select the **AUX** input as source.

CAUTION:

The only control available is volume adjustment (use the illuminated ring to do this).

alarm



Touch this symbol to enter alarm mode:

- 1) - The display shows the alarm;
- 2) - all outputs are inhibited;
- 3) - the radio is switched off;
- 4) - the Turkish bath programme stops;
- 5) - the white light comes on.

To disable alarm mode, touch the symbol for 2 seconds.
The device returns to wait mode (WAIT).



aromatherapy

ESSENTIAL DIFFUSER

We can add the benefits of aromatherapy to that of the Turkish bath.

To make your Turkish bath healthier and more enjoyable, you can add essential oils or vegetable essences to the steam; these are dispensed using a purpose-designed "diffuser". To this end, it is advisable to use products that are entirely natural.



GB
Caution:
these tasks should always be performed with the function disabled.

BALSAMIC OILS

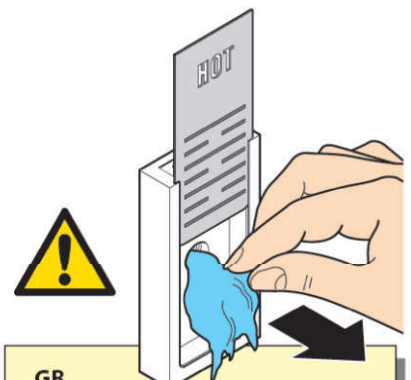
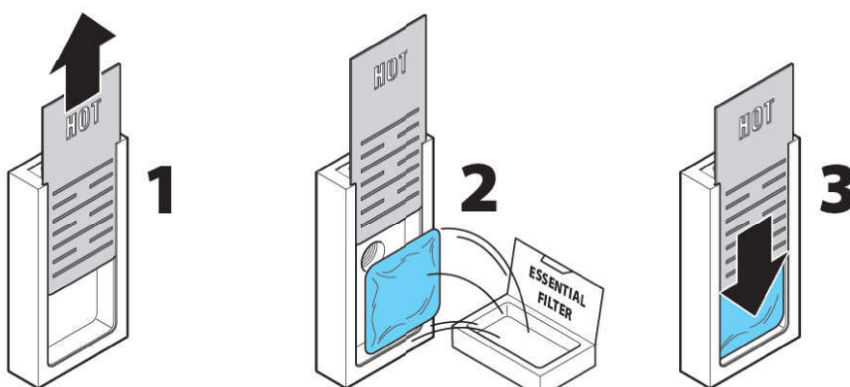
If you wish to use essential oils, simply pour a few drops into the purpose-designed tray.
Caution: It is advisable to use a wad of cotton wool (see figure).



VEGETABLE ESSENCES

If on the other hand you have decided to use solid essences, simply pull out the tray from the diffuser and introduce the essences into it, breaking them up into smaller pieces if necessary to encourage the penetration of steam and achieve better diffusion (see the correct sequence in the figure).

Now you are ready to receive the soft and scented embrace of steam.



GB
Caution:
If you use filters, before each cycle, it is advisable to make sure there is no residue clogging the steam outlet hole.

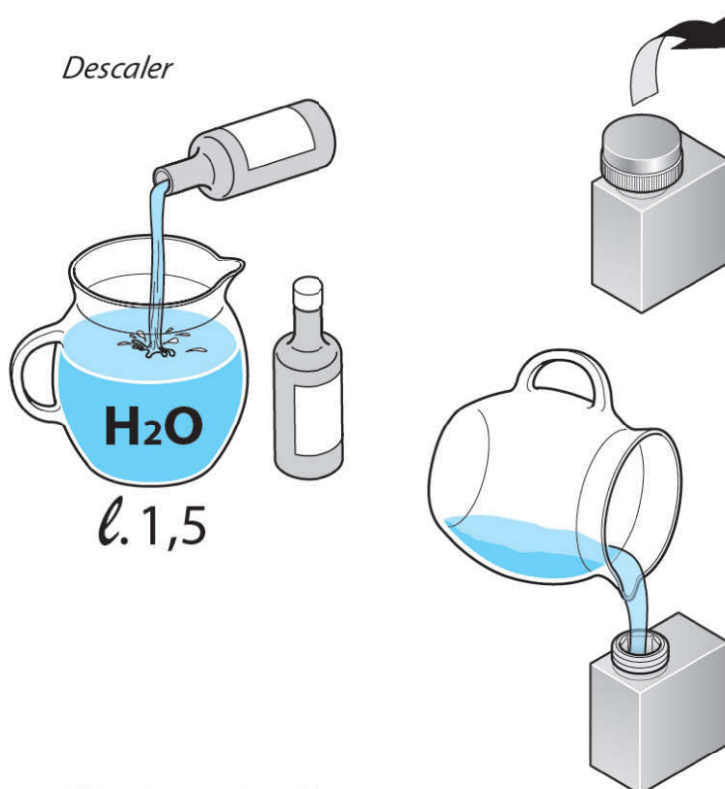
boiler maintenance

CLEANING THE BOILER VAPORISER

In order to benefit fully from maximum performance during your Turkish bath, it is highly recommended to clean the steam-generating boiler once a year (or every 30 hours or so of operation).

To clean the boiler, the following is necessary:

- 1 - Make sure the appliance is turned off before treatment.
- 2 - Dilute the bottle of descaler supplied with the shower in 1.5 litres of water.
- 3 - Pour the solution into the boiler along the duct situated on the short side of the shower.
N.B. Unscrew the cap and close it.
(see figure)
- 4 - Allow the solution to rest for approximately 12 hours.
- 5 - Start the **Turkish bath** and allow it to run for about 5-8 minutes in order to remove any scale residue from the boiler.



CAUTION:

During operation, always keep the tank cap on completely to avoid harming people and damaging the appliance.

During operation **STAY AWAY** from the steam dispenser.

warranty

GENERAL WARRANTY TERMS AND CONDITIONS

The manufacturer guarantees its products for a period of 24 months from the date of purchase.

The purchase may be proven by a fiscally valid document issued by the retailer (till receipt, invoice or delivery slip or warranty slip on the manual for use) which identifies the product purchased and the date of purchase and/or delivery of the same.

For conformity defects which arise during the first 6 months of the product life cycle, the manufacturer undertakes to repair the defect at no extra charge for the consumer.

From the seventh month to the twenty-fourth month of the warranty period, in the event of non-ascertained conformity defects, consumers shall have to pay for the call-out and the manufacturer shall continue to pay for the labour cost as well as for any functional spare parts used. On the other hand, in the event of ascertained conformity defects, not even the cost of the call-out will be charged.

In the event of a dispute, the Court of the user's place of residence or domicile shall have jurisdiction.

In the event that the product - purchased in Italy - is installed in a European Union member country, the consumer can get in touch with the local support reference person by contacting the manufacturer.

After the 24-month warranty period, all repairs shall be paid in full by the consumer.

The manufacturer will not be held liable for any damage which may - either directly or indirectly - be caused to property, or personal injury or harm to animals ensuing from failure to observe all the instructions provided in the purpose-provided manual and concerning the warnings regarding installation, use and maintenance.

Please note that the manufacturer cannot be held accountable for defects caused by external conditions and/or events such as (by way of non-exhaustive example):

- insufficient capacity of electrical or plumbing systems;
- incorrect installation and/or maintenance carried out by unauthorised staff;
- negligence, inability to use and poor maintenance on the consumer's part, compared to the instructions and recommendations in the product instruction manual, which is an integral part of the sale contract.
- The same applies for damage caused to the appliance by atmospheric events and natural disasters (lightning, flooding, fire, earthquakes, etc.) or by acts of vandalism, or by circumstances which cannot be ascribed as manufacturing defects.

The warranty also does not cover:

- actions undertaken to solve problems caused by negligence, accidental breakage, tampering and/or damage during transportation (scratches, bubbles, dents) when carried out under the consumer's responsibility;
- repairs carried out by unauthorised staff;
- actions for operating demonstration, checks and routine maintenance work (including cleaning activities) and everything which was brought to the consumer's attention at the time of the sale.



acrijan
Water Experience

The manufacturer has the right to cease production, without forewarning, of any model and/or to introduce modifications without being obliged to effect the same modifications on products already supplied.

Furthermore, the manufacturers are not answerable for any transcription or printing errors.



Installation - use
Vapor X9 Touch
Code: 0009
Edition 4 (02 - 2017)