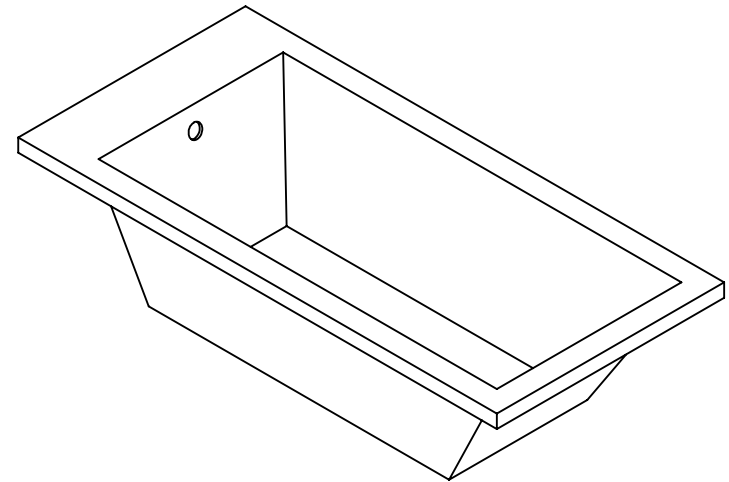
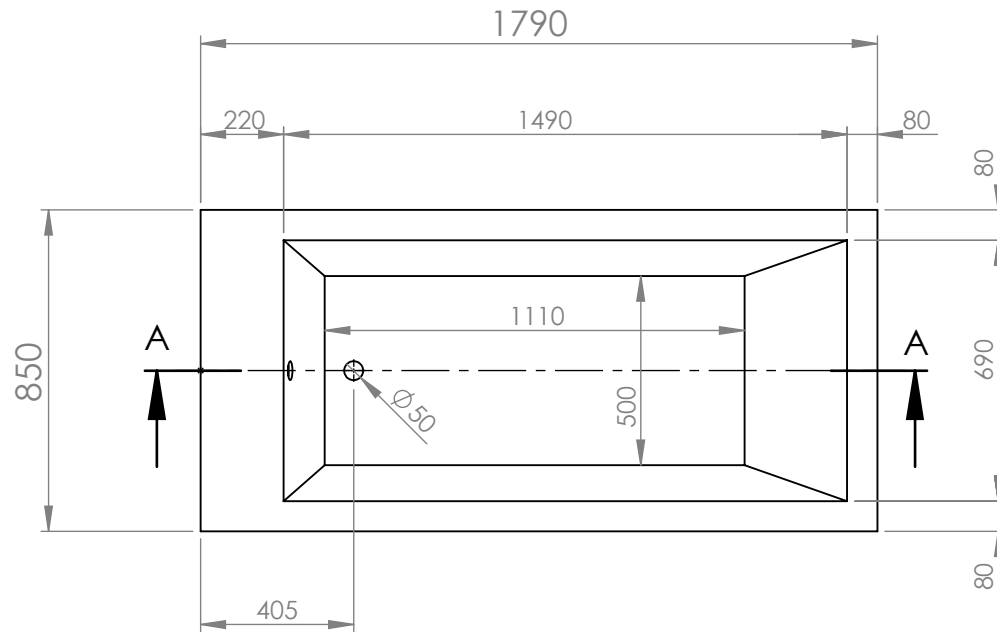
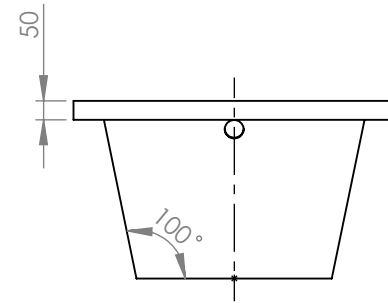



SECTION A-A



		TITLE:	
		BATHTUB CELINE 180X85	
DRAWN	DATE	NAME	DWG NO.
	03/07/2021	KONSTANTINOS PAIZANOS	A4
		SCALE:1:20	SHEET 1 OF 1